



# OP8664A1

## Pyrolytic oven

Installation: Built-in  
Main colour: Black grey matt  
Product dimensions (HxWxD): 59,5 × 59,7 × 54,7 cm  
5 Air Flow™ system, Oven volume - 71 L, Pyrolytic Self Clean™, AutoRoast, Defrost, Eco



5 Air Flow™  
system



Oven  
volume - 71  
L



Pyrolytic  
Self Clean™



AutoRoast



Defrost



Eco

### Construction & Performance

- Maximum oven temperature: 300 °C
- Meat Probe

### Use & flexibility

- Interior lights (Illumination): Both sides
- Volume net (liter): 71 l
- OpenView
- Fully extendible guides
- Wire guides
- Fully extendible telescopic guides on one level
- 1 Premium grill rack
- 1 Deep tray
- 1 Shallow tray

### Interaction & Control

- Knob shape: Ergonomic knobs
- Small TFT

### Programs

- Lower heater BIO
- Upper heater
- Lower and upper heater
- Small infra heater
- Large infra heater
- Large infra heater with ventilaton
- Circular heater
- Eco function
- Lower heater and fan
- Lower heater with fan BIO
- Defrost
- WarmPlate
- StayWarm
- FastPreheat
- AutoRoast

### Design & integration

- Door material: Glass and stainless steel
- Main colour: Black grey matt
- TouchFree Inox
- Niche dimensions (HxWxD): 59 × 56 × 55 cm

### Safety & Maintenance

- Dynamic oven cooling plus - DC+
- GentleClose door hinge



- Removable flat oven inner door glass surface
- Pyrolytic cleaning
- Pyroproof side racks and plates

#### Technical data

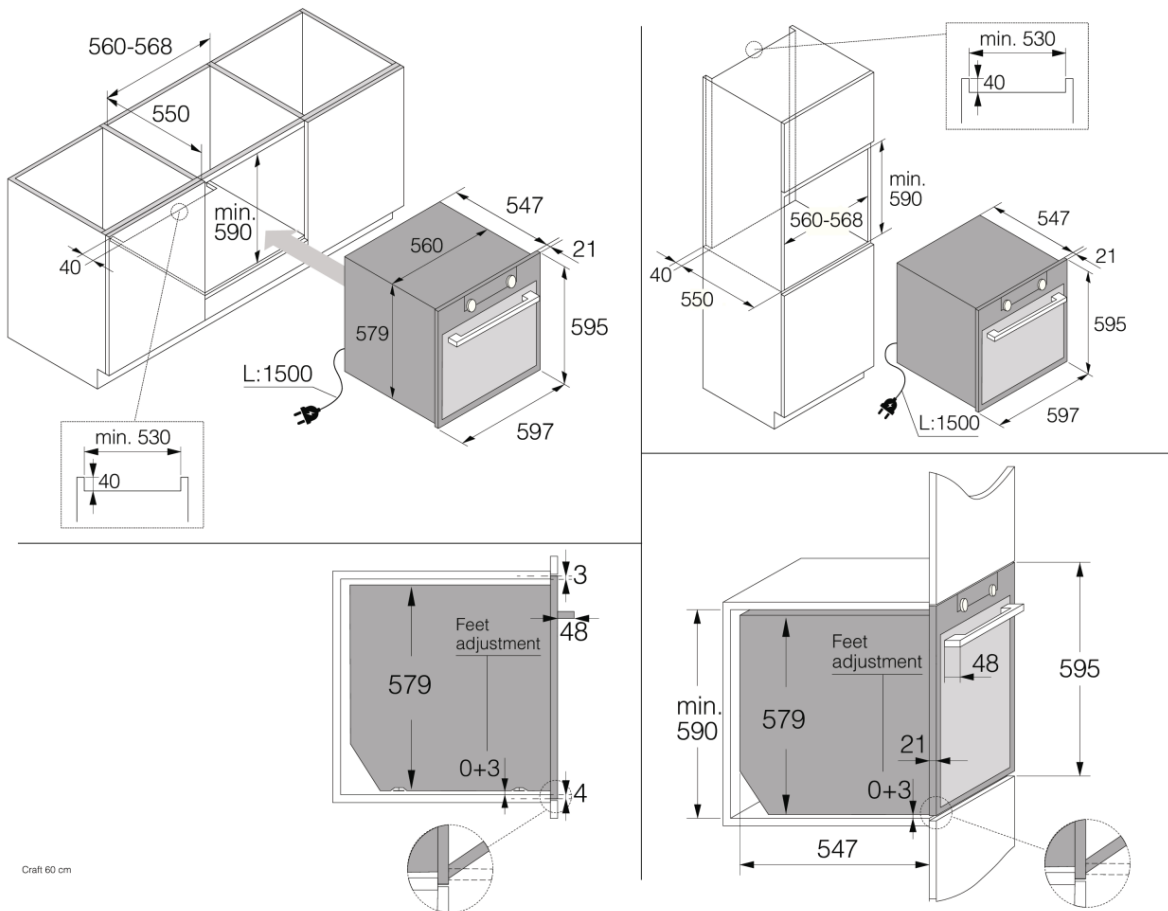
- Energy consumption in standby mode: 1 W
- Energy class: A+
- Oven consumption (conventional operation): 1 kWh
- Oven consumption (venting operation): 0,69 kWh
- Energy consumption conventional: 0,94 kWh
- Energy consumption forced air: 0,9 kWh
- Connected load: 3400 W
- Frequency: 50-60 Hz

#### Dimensions

- Product dimensions (HxWxD): 59,5 × 59,7 × 54,7 cm
- Net weight: 44,2 kg

#### Logistic information

- Dimensions of packed product (HxWxD): 70 × 66 × 70 cm
- Gross weight: 49,4 kg
- Product code: 742136
- EAN code: 3838782681363



Craft 60 cm