



W6098X.S/3

Washing machine

General description

Product group: Washing Machine
Installation: Freestanding
Loading capacity: 9 kg
Spin speed: 1800 rpm
26 programs
Energy class: A
Main colour: Stainless Steel



Programs

- Cotton
- Mix/synthetics
- Wool/hand program
- Universal
- Dark wash
- Time program
- Auto
- Quick
- Heavy
- Rinse
- Spin
- Drain
- Easy care
- Drum cleaning
- Jeans
- Shirts
- Hygiene
- Bedding
- Quick Pro
- Allergy program Cotton
- Allergy synthetics program
- Sport Wash
- Conditioning program
- Stain
- Steam refresh
- Eco 40–60 °C

Options

- Adjustable spin speed: Adjustable spin speed
- Super Rinse™ - extra rinses added.
- Super wash
- High water level
- Prewash
- Antcrease function

Modes

- Normal mode, Green mode, Allergy mode, Speed mode, Intensive mode, Night mode

Construction & Performance

- Quattro Construction™ – vibration-free spinning
- Door: Steel Seal™ - hygienic door sealing
- Long lasting stainless steel drum
- Active Drum™ - for a careful yet effective wash cycle.
- Heater power: 2000 W
- Precise temperature control (max deviation: +/- 1 °C)
- Water level sensor
- Drum volume: 60 l
- Durable brushless motor
- Automatic Dosing System: Integrated

Use & flexibility

- Easy close door
- Liquid detergent insert
- Detergent compartment auto cleaning function

- Temperature range: Cold-90°C
- Door diameter: 31 cm
- Door opening angle: 110 °
- Dose assist

Interaction & Control

- Delayed Start
- Remaining time indicator
- Type of display: LCD display
- 26 programs
- Available languages in control unit: CZ, DA, DE, EN, ES, EE, FI, FR, HR, IT, JP, LT, LV, NL, NO, PL, RU, SK, SL, SV, ZH, ZH-CN

Design & integration

- Door opening: Hinge on left side
- Adjustable feet: 10 mm
- ASKO tumble dryer can be mounted on top of the washer
- Size 3/4" - Can be connected to hot and cold water
- Loading position: Front

Safety & Maintenance

- Removable lifters for easy cleaning
- Waterproof bottom plate
- Maximized water inlet time
- PEX inlet hose
- Anti Block™ - Self cleaning drain pump.
- Overflow protection
- Emergency door opening key
- Lockable control panel
- Unbalance detection - protects the washer against harmful vibrations.
- Draining capacity: 20 l/min
- Overheat protection
- Thermal and electronic protection against overheating
- Pro Wash system - extra effective washing and rinsing

Technical data

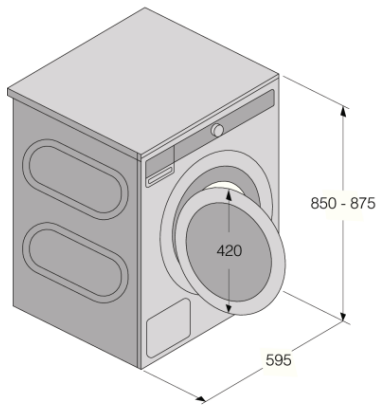
- Spin drying efficiency class: A
- Moisture remaining: 43 / 43 / 43
- Heater power: 2000 W
- Drum volume: 60 l
- Size 3/4" - Can be connected to hot and cold water
- Counter weight material: Cast iron
- Counter weight (kg): 20,1 kg
- Noise level spinning: 77 dB(A)re 1 pW
- Noise spinning class: C
- Energy consumption per 100 cycles: 49 kWh
- Energy consumption per cycle for the Eco program 40–60 °C: 0,493 kWh
- Water consumption per cycle for the Eco program 40–60 °C: 49 l
- Consumption in off mode: 0,3 W
- Consumption in standby mode: 0,3 W
- Energy class: A
- Connected load: 2200 W
- Number of phases: 1
- Fuse: 10 amp
- Frequency: 50 Hz
- Net weight: 88,5 kg
- ISO 14001

Dimensions

- Product dimensions (HxWxD): 85 × 59,5 × 58,5 cm
- Depth with door open: 942 mm
- Length electrical cord: 2,1 m
- Length inlet hose: 150 cm
- Length outlet hose: 160 cm

Logistic information

- Dimensions of packed product (HxWxD): 92 × 64 × 66,1 cm
- Gross weight: 91,7 kg
- Product code: 741661
- EAN code: 3838782659393
- Market: Domestic
- Range: Style



Washing Machine WM-75

