



# W4086C.S/3

## Washing machine

### General description

Product group: Washing Machine  
Installation: Freestanding  
Loading capacity: 8 kg  
Spin speed: 1600 rpm  
23 programmes  
Energy class: A  
Main colour: Stainless Steel

### Programs

- Cotton
- Mix/synthetics
- Wool/hand program
- Universal
- Dark wash
- Bedding
- Time program
- Auto
- Quick
- Heavy
- Rinse
- Spin
- Drain
- Easy care
- Drum cleaning
- Jeans
- Shirts
- Hygiene
- Quick Pro
- Allergy program Cotton
- Allergy synthetics program
- Steam refresh
- Eco 40-60 °C

### Options

- Adjustable spin speed: Adjustable spin speed
- Super Rinse™ - extra rinses added.
- Super wash
- High water level
- Prewash
- Antcrease function

### Modes

- Normal mode, Green mode, Allergy mode, Speed mode, Intensive mode

### Construction & Performance

- Quattro Construction™ – vibration-free spinning
- Door: Steel Seal™ - hygienic door sealing
- Long lasting stainless steel drum
- Active Drum™ - for a careful yet effective wash cycle.
- Heater power: 2000 W
- Precise temperature control (max deviation: +/- 1 °C)
- Water level sensor
- Drum volume: 60 l
- Drum volume (USA): 2,1 cu ft
- Durable brushless motor

### Use & flexibility

- Easy close door
- Liquid detergent insert
- Temperature range: Cold-90°C
- Door diameter: 31 cm
- Door opening angle: 110 °
- Dose assist

### Interaction & Control

- Delayed Start
- Remaining time indicator

- Type of display: LCD display
- 23 programmes
- Available languages in control unit: CZ, DA, DE, EN, ES, EE, FI, FR, HR, IT, JP, LT, LV, NL, NO, PL, RU, SK, SL, SV, ZH, ZH-CN

---

#### Design & integration

- Door opening: Hinge on left side
- Adjustable feet: 10 mm
- ASKO tumble dryer can be mounted on top of the washer
- 3/4" Cold water connection
- Loading position: Front

---

#### Safety & Maintenance

- Removable lifters for easy cleaning
- Waterproof bottom plate
- Maximized water inlet time
- PEX inlet hose
- Anti Block™ - Self cleaning drain pump.
- Overflow protection
- Emergency door opening key
- Lockable control panel
- Unbalance detection - protects the washer against harmful vibrations.
- Draining capacity: 20 l/min
- Overheat protection
- Thermal and electronic protection against overheating

---

#### Technical data

- Spin drying efficiency class: A
- Moisture remaining: 44 / 44 / 44
- Heater power: 2000 W
- Drum volume: 60 l
- 3/4" Cold water connection
- Counter weight material: Cast iron
- Counter weight (kg): 10,4 kg
- Noise level spinning: 76 dB(A)re 1 pW
- Noise spinning class: B
- Energy consumption per 100 cycles: 47 kWh
- Energy consumption per cycle for the Eco program 40–60 °C: 0,471 kWh
- Water consumption per cycle for the Eco program 40–60 °C: 48 l
- Consumption in off mode: 0,3 W
- Consumption in standby mode: 0,3 W
- Energy class: A
- Connected load: 2200 W
- Number of phases: 1
- Fuse: 10 amp
- Frequency: 50 Hz
- Net weight: 75,5 kg
- ISO 14001

---

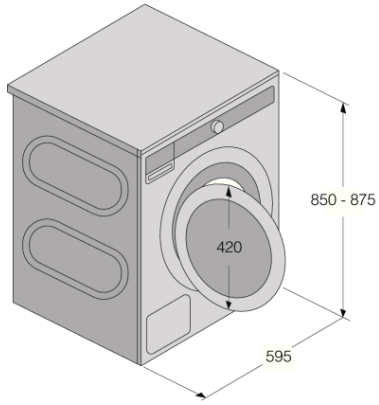
#### Dimensions

- Product dimensions (HxWxD): 85 × 59,5 × 58,5 cm
- Adjustable feet: 10 mm
- Depth with door open: 942 mm
- Length electrical cord: 2,1 m
- Length inlet hose: 150 cm
- Length outlet hose: 160 cm

---

#### Logistic information

- Dimensions of packed product (HxWxD): 92 × 64 × 66,1 cm
- Gross weight: 78,7 kg
- Product code: 741651
- EAN code: 3838782659102
- Market: Domestic
- Range: Logic



Washing Machine WM-75

