



DSD746U.UK

Fully integrated dishwasher

General description

Effective and natural drying with just room air.
Product line: Style
Installation: Fully integrated
Size: XL, 820 mm
Number of baskets: 3
Number of place settings (label): 14 place settings
Push to open
Automatic dosing system for dishwasher detergent gel
Top tray: Easy height adjustment; With telescopic rails; Handle; Removable for comfortable emptying; Guide rails with ball bearings
Upper basket type: Exclusive - Basket wiring in steel, all pin rows foldable, divisible/foldable wine shelves, Light Lock™ for fastening lightweight items.
Lower basket type: Exclusive - Basket wiring in steel, all pin rows foldable, sliding tines in rear right, removable cutlery basket and vase/bottle holder for cleaning vases/baby bottles.
Sliding tines for easy adaptation to stone ware etc.
Handle with Stainless steel logotype
Removable cutlery basket for easy loading and unloading



Construction & Performance

- Extra durable stainless steel container.
- Aqua Detect™ - Instant recognition of any leakage in the motor compartment.
- Stand-by water protection - Leakage detection when machine is off.
- Anti Block™ - Self cleaning drain pump.
- 8 Steel™ - Vital parts of the dishwasher made in stainless steel.
- Hidden heater
- No need to rinse the dishes thanks to Super Cleaning System™
- Sensi Clean™ Sensor - measures dirtiness level
- Automatic water-softener for better washing performance
- Number of spray arms: 3
- Number of spray zones: 9
- Automatic door opening
- Cutlery Spray™ - Extra dishwashing power for the cutlery basket

Use & flexibility

- Number of place settings (label): 14 place settings
- Number of baskets: 3
- Automatic dosing system for dishwasher detergent gel
- Top tray: Easy height adjustment; With telescopic rails; Handle; Removable for comfortable emptying; Guide rails with ball bearings
- Upper basket type: Exclusive - Basket wiring in steel, all pin rows foldable, divisible/foldable wine shelves, Light Lock™ for fastening lightweight items.
- Upper basket system: Easy height adjustable with lever
- Guide rails with ball bearings
- China Guard - Protects fragile load from the rotating spray arm
- Lower basket type: Exclusive - Basket wiring in steel, all pin rows foldable, sliding tines in rear right, removable cutlery basket and vase/bottle holder for cleaning vases/baby bottles.
- Vase and bottle holder for high narrow objects like baby bottles
- Small distance between the basket threads - makes loading easy and prevents small items to fall through.
- Removable cutlery basket for easy loading and unloading
- 2 led lights
- Required inlet water pressure: 0,03-1 MPa

Interaction & Control

- Possible to control via WiFi: Integrated
- Type of display: TFT front display LCD top display
- Ability to create own programmes: Memory programme
- Number of programs: 14
- Number of options: 9
- Status Light™ - Visual indication of the dishwashing progress.
- Time remaining indicator: Time remaining indicator
- Wash end indication: Displayed with sound and light
- Adjustable power zones that can be set for cleaning Pots & Pans or Bottles & Vases. Can also be turned off.
- The water pressure is adapted depending on program, type of dishes and dirtiness level.
- Available languages in control unit: CZ, DA, DE, EN, ES, EE, FI, FR, HR, IT, JP, LT, LV, NL, NO, PL, PT, RU, SK, SL, SV, UK

Programs

- 14 programmes: Auto; Intensive; Eco; Hygiene; Time program; Plastic; Rinse & hold; Universal; Upper half; Lower half; Crystal glass; Quick Pro; Self cleaning; Preheated
- Delayed start: Possible to delay up to 24 hours
- UV Cleanse mode - UV-light sanitation of the water in the final rinse
- Green mode - Less energy and water is used. The program time is extended.
- Speed mode - The program time is shortened. More energy is used.
- Night mode - Lower noise level. The program time is extended.
- Intensive mode - The dishwasher uses more heat and water. The program time is extended.
- Super Rinse™ - Two extra rinses.

Design & integration

- From the front adjustable door spring
- From front adjustable rear foot
- Velcro strips for easy mounting and adjustment of the separate custom door
- Sliding door
- Integrated anti-siphon - Prevents spontaneous in- and outlet of water and simplifies elevated installation
- Custom door size 720-800 mm
- Min. niche width: 600 mm
- Min. niche height: 820 mm
- Depth (incl. wall spacing): 560 mm
- Height setting: 53 mm

Safety & Maintenance

- Aqua Safe™ system - Multiple safety systems preventing water damages.
- Kid Safe™ - Lockable controls
- Indication of low level of rinse-aid: Notification in display
- Salt refill indicator: Salt refill indicator

Technical data

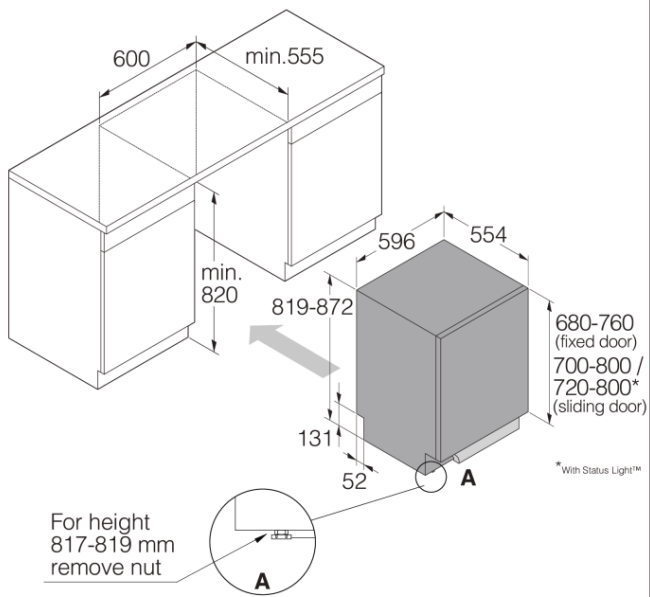
- Size 3/4" - Can be connected to hot or cold water
- Max. temperature of incoming water: 70 °C
- Noise level: 39 dB(A)re 1 pW
- Duration of Eco programme: 195 min
- Energy consumption per cycle for the Eco program 40-60°C : 0,64 kWh
- Water consumption per cycle for the Eco program: 9,2 l
- Consumption in standby mode: 0,49 W
- Energy class: B
- Connected load: 1900 W
- Number of phases: 1
- Fuse: 10 amp
- Frequency: 50 Hz
- Required inlet water pressure: 0,03-1 MPa
- Net weight: 45 kg
- Noise class: B
- Energy efficiency index (EEI): 37,6 %
- Cleaning performance: 1,13
- Drying performance: 1,07
- Start delay: 3,99 W
- Networked standby: 1,99 W
- Energy consumption per 100 cycles: 64 kWh

Dimensions

- Width: 596 mm
- Height: 819 mm
- Depth: 554 mm
- Maximum product height: 872 mm
- Length electrical cord: 1730 mm
- Depth with door open: 1243 mm
- Length inlet hose: 163 cm
- Length outlet hose: 200 cm

Logistic information

- Packaging width: 640 mm
- Packaging height: 890 mm
- Packaging depth: 680 mm
- Gross weight: 48 kg
- Product code: 740514
- EAN code: 3838782655012
- Market: Domestic
- Range: Style



Sliding Door DW60 dishwasher XL

* With Status Light™

