



DBI565IXXLS.U

Built-in undercounter dishwasher

Number of place settings (label): 16

Upper basket type: Exclusive - Basket wiring in steel, all pin rows foldable, divisible/foldable wine shelves, Light Lock™ for fastening lightweight items.

Lower basket type: Exclusive - Basket wiring in steel, all pin rows foldable, sliding tines in rear right, removable cutlery basket and vase/bottle holder for cleaning vases/baby bottles.

Panel colour: Stainless Steel

Programs

- Normal programme
- Automatic programme
- Intensive

Options

- Delayed start: Possible to delay up to 24 hours

Cleaning systems

- Number of spray zones: 9
- No need to rinse the dishes thanks to Super Cleaning System™

Features

- 2 led lights
- 8 Steel™ - Vital parts of the dishwasher made in stainless steel.
- Salt refill indicator: Salt refill indicator
- Indication of low level of rinse-aid: Notification in display
- Time remaining indicator: Time remaining indicator
- Voice signal for the end of washing cycle
- Steam protection device
- Hidden heater
- Kid Safe™ - Lockable controls
- "All in one" tablet function

Water safety

- Aqua Detect™ - Instant recognition of any leakage in the motor compartment.
- Aqua Safe™ system - Multiple safety systems preventing water damages.

Installation

- From front adjustable rear foot
- Multifit outlet hose
- Integrated anti-siphon device
- Trim kit

- EAN code: 3838782627484
- Product code: 740103

General

- Product group: Dishwasher
- Installation: Built-in
- Size: XXL, 860 mm high
- Type of display: LCD display
- Number of programs: 9
- Noise level: 40 dB(A)re 1 pW
- Number of baskets: 3
- Number of place settings (label): 16
- EAN code: 3838782627484

Dimensions and installation

- Height: 871 mm
- Width: 608 mm
- Depth: 554 mm
- Packaging height: 930 mm



- Packaging width: 640 mm
- Packaging depth: 680 mm
- Length electrical cord: 1,8 m
- Length inlet hose: 163 cm
- Length outlet hose: 230 cm
- Net weight: 43,5 kg
- Gross weight: 46,8 kg

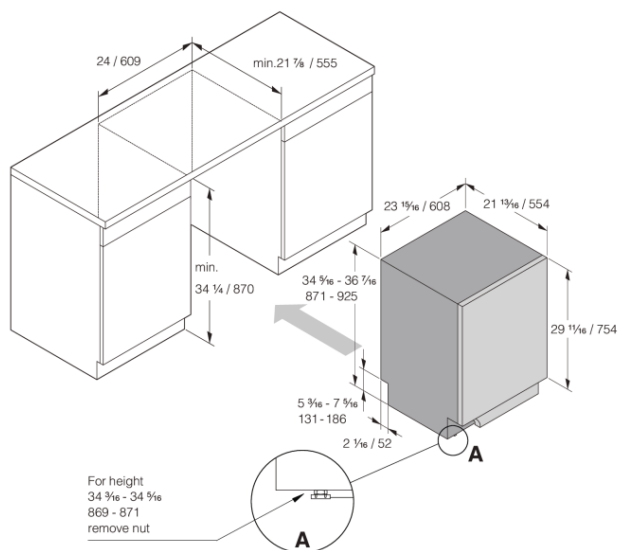
Dimensioner

- Fuse: 15 amp
- Frequency: 60 Hz
- Required inlet water pressure: 0,03-1 MPa

Consumption

- Estimated annual energy consumption: 220 kWh
- Energy consumption - normal program: 1 kWh
- Estimated annual water consumption: 2451 l
- Energy consumption in standby mode: 0,5 W

Measurements: inches / millimetres



DW60 Built-in Dishwasher XXL USA

