



DSD767UXXL.AU

General description

Product line: Style
Installation type: Fully integrated
Size: XXL, 86 cm
Number of baskets: 3
Number of place settings: 16 place settings
Upper rack type: Exclusive - fully flexible with all-foldable pin rows and Light Lock™ for plastic items
Lower rack type: Exclusive - fully flexible with all-foldable pin rows and vase/bottle holder
Removable cutlery basket for easy unloading

Construction & Performance

- Welded stainless steel container
- Exterior float
- Stand by water protection
- Anti-block drain pump
- 8 Steel™ construction
- Hidden heater
- SCS+ (Super Cleaning System+)
- Sensi Clean™ Sensor - detects the dirtiness level
- Number of spray arms: 3
- Number of spray zones: 9
- TotalDry – automatic door opening
- Cutlery Power Zone



Use & Flexibility

- Number of place settings: 16 place settings
- Number of baskets: 3
- Upper rack type: Exclusive - fully flexible with all-foldable pin rows and Light Lock™ for plastic items
- Easy sliding telescope rails with ball bearings for the upper basket
- China Guard - protects fragile load from the rotating spray arm
- Lower rack type: Exclusive - fully flexible with all-foldable pin rows and vase/bottle holder
- Vase and bottle holder placed above the Jet Spray™ nozzle
- Dense basket wiring in both upper and lower basket
- Removable cutlery basket for easy unloading
- 4 LED Lights
- Required inlet water pressure: 0,03-1 MPa

Interaction & Control

- Wi-Fi operation: Integrated
- Display type: TFT front display LCD top display
- Customizable programs: Program memory
- Number of programs: 14
- Number of options: 8
- Status LED light
- Digital countdown indicator: Time remaining indicator
- Wash end indication: Visual and sound indication washing end

Programs, options and modes

- Delayed start: Variable start delay up to 24 hours
- Green mode
- Speed mode
- Night mode
- Intensive mode
- Super rinse

Design & Integration

- From front adjustable door spring
- From front adjustable rear foot
- Velcro strips - easy mounting of door panel
- Simplified installation with integrated anti-siphon
- Min width: 600 mm
- Min height: 860 mm
- Depth (incl. wall spacing): 555 mm
- Height setting: 53 mm

Safety & Maintenance

- Aqua Safe™
- Kid Safe™ - panel
- Rinse-aid indication: Notification in display

Technical data

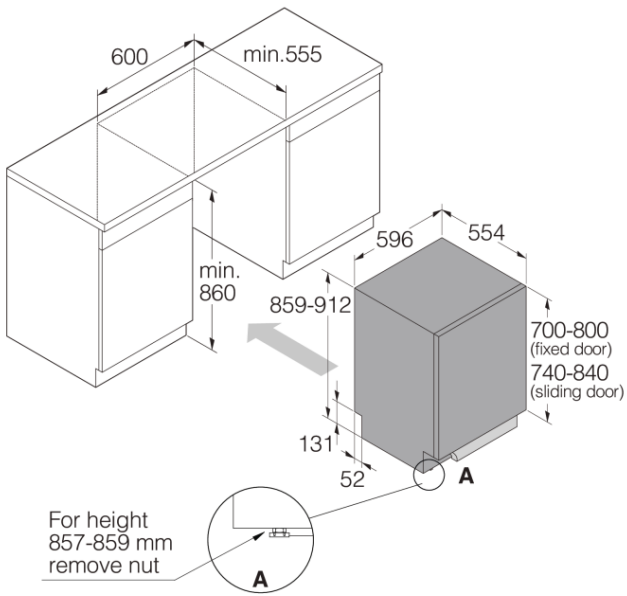
- 3/4" Cold water connection
- Max. temperature of inflow water: 70 °C
- Noise level: 38 dB(A)re 1 pW
- Total cycle time of reference program (min): 178 min
- Estimated yearly energy consumption: 216 kWh
- Energy consumption reference program: 0,57 kWh
- Energy stars: 4,5
- Water stars: 6
- Water consumption: 10,6 l
- Consumption in standby mode: 0,77 W
- Plug type: Australia
- Connection rating: 2000 W
- Number of phases: 1
- Current: 10 amp
- Frequency: 50 Hz
- Required inlet water pressure: 0,03-1 MPa
- Net weight: 43 kg

Dimensions

- Width: 596 mm
- Height: 859 mm
- Depth: 554 mm
- Maximum product height: 912 mm
- Length electrical cord: 1730 mm
- Depth with door open: 1283 mm
- Length inlet hose: 163 cm
- Length outlet hose: 200 cm

Logistic information

- Packaging width: 640 mm
 - Packaging height: 930 mm
 - Packaging depth: 680 mm
 - Gross weight: 46,3 kg
 - Product code: 740013
 - EAN code: 3838782623035
 - Market: Domestic
 - Range: Style
-



Sliding Door DW60 dishwasher XXL

