



# DFI564D.AU

## General description

Turbo Combi Drying™

Product line: Logic

Installation type: Fully integrated

Size: XL, 82 cm

Number of baskets: 3

Number of place settings: 16 place settings

Upper rack type: Premium - two foldable wine shelves, fixed pin rows and one foldable glass support

Lower rack type: Premium - foldable pin rows

## Construction & Performance

- Welded stainless steel container
- Exterior float
- Stand by water protection
- Anti-block drain pump
- 8 Steel™ construction
- Hidden heater
- SCS+ (Super Cleaning System+)
- Number of spray arms: 3
- Number of spray zones: 9
- Turbo Combi Drying™
- TotalDry – automatic door opening

## Use & Flexibility

- Number of place settings: 16 place settings
- Number of baskets: 3
- Upper rack type: Premium - two foldable wine shelves, fixed pin rows and one foldable glass support
- Lower rack type: Premium - foldable pin rows
- Required inlet water pressure: 0,03-1 MPa

## Interaction & Control

- Display type: LCD display
- Customizable programs: Program memory
- Number of programs: 9
- Number of options: 5
- Status LED light
- Digital countdown indicator: Time remaining indicator
- Wash end indication: Visual and sound indication washing end

## Programs, options and modes

- Delayed start: Variable start delay up to 24 hours
- Speed mode
- Night mode
- Super rinse

## Design & Integration

- From front adjustable door spring
- From front adjustable rear foot
- Velcro strips - easy mounting of door panel
- Simplified installation with integrated anti-siphon
- Min width: 600 mm
- Min height: 820 mm
- Depth (incl. wall spacing): 555 mm
- Height setting: 53 mm

## Safety & Maintenance

- Aqua Safe™
- Kid Safe™ - panel
- Rinse-aid indication: Notification in display

## Technical data

- 3/4" Cold water connection

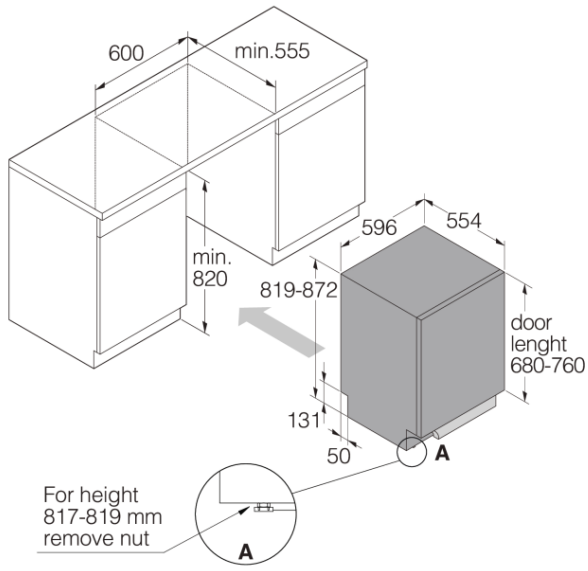
- Max. temperature of inflow water: 70 °C
  - Noise level: 42 dB(A)re 1 pW
  - Total cycle time of reference program (min): 178 min
  - Estimated yearly energy consumption: 216 kWh
  - Energy consumption reference program: 0,57 kWh
  - Energy stars: 4,5
  - Water stars: 6
  - Water consumption: 10,6 l
  - Consumption in standby mode: 0,77 W
  - Plug type: Australia
  - Connection rating: 2000 W
  - Number of phases: 1
  - Current: 10 amp
  - Frequency: 50 Hz
  - Required inlet water pressure: 0,03-1 MPa
  - Net weight: 49 kg
- 

#### **Dimensions**

- Width: 596 mm
  - Height: 819 mm
  - Depth: 554 mm
  - Maximum product height: 872 mm
  - Length electrical cord: 1730 mm
  - Depth with door open: 1191 mm
  - Length inlet hose: 163 cm
  - Length outlet hose: 200 cm
- 

#### **Logistic information**

- Packaging width: 640 mm
  - Packaging height: 890 mm
  - Packaging depth: 680 mm
  - Gross weight: 52 kg
  - Product code: 740004
  - EAN code: 3838782622854
-



Fully integrated dishwasher XL

