



DFI544D

Fully integrated dishwasher

General description

Turbo Combi Drying™
 Product line: Logic
 Installation: Fully integrated
 Size: XL, 820 mm
 Number of baskets: 3
 Number of place settings (label): 14 place settings
 Top tray: Easy height adjustment; Handle; Removable for comfortable emptying
 Upper basket type: Premium - Basket wiring in steel, fixed pin rows and foldable wine shelves.
 Lower basket type: Premium - Basket wiring in steel, fixed pin rows and removable cutlery basket.
 Removable cutlery basket for easy loading and unloading

Construction & Performance

- Extra durable stainless steel container.
- Aqua Detect™ - Instant recognition of any leakage in the motor compartment.
- Stand-by water protection - Leakage detection when machine is off.
- Anti Block™ - Self cleaning drain pump.
- 8 Steel™ - Vital parts of the dishwasher made in stainless steel.
- Hidden heater
- No need to rinse the dishes thanks to Super Cleaning System™
- Automatic water-softener for better washing performance
- Number of spray arms: 3
- Number of spray zones: 9
- Turbo Combi Drying™
- Automatic door opening
- Cutlery Spray™ - Extra dishwashing power for the cutlery basket



Use & flexibility

- Number of place settings (label): 14 place settings
- Number of baskets: 3
- Top tray: Easy height adjustment; Handle; Removable for comfortable emptying
- Upper basket type: Premium - Basket wiring in steel, fixed pin rows and foldable wine shelves.
- Upper basket system: Switch wheels
- Lower basket type: Premium - Basket wiring in steel, fixed pin rows and removable cutlery basket.
- Small distance between the basket threads - makes loading easy and prevents small items to fall through.
- Removable cutlery basket for easy loading and unloading
- Required inlet water pressure: 0,03-1 MPa

Interaction & Control

- Type of display: LCD display
- Ability to create own programmes: Memory programme
- Number of programs: 9
- Number of options: 5
- Status Light™ - Visual indication of the dishwashing progress.
- Time remaining indicator: Time remaining indicator
- Wash end indication: Displayed with sound and light
- Adjustable power zones that can be set for cleaning Pots & Pans or Bottles & Vases. Can also be turned off.
- Available languages in control unit: CZ, DA, DE, EN, ES, EE, FI, FR, HR, IT, JP, LT, LV, NL, NO, PL, PT, RU, SK, SL, SV, UK

Programs

- 9 programmes: Quick; Intensive; Eco; Hygiene; Time program; Rinse & hold; Universal; Self cleaning; Anti odour
- Delayed start: Possible to delay up to 24 hours
- Speed mode - The program time is shortened. More energy is used.
- Night mode - Lower noise level. The program time is extended.
- Super Rinse™ - Two extra rinses.

Design & integration

- From the front adjustable door spring
- From front adjustable rear foot
- Velcro strips for easy mounting and adjustment of the separate custom door

Standard accessories



- Integrated anti-siphon - Prevents spontaneous in- and outlet of water and simplifies elevated installation
 - Custom door size 680-760mm
 - Min. niche width: 600 mm
 - Min. niche height: 820 mm
 - Depth (incl. wall spacing): 555 mm
 - Height setting: 53 mm
-

Safety & Maintenance

- Aqua Safe™ system - Multiple safety systems preventing water damages.
 - Kid Safe™ - Lockable controls
 - Indication of low level of rinse-aid: Notification in display
 - Salt refill indicator: Salt refill indicator
-

Technical data

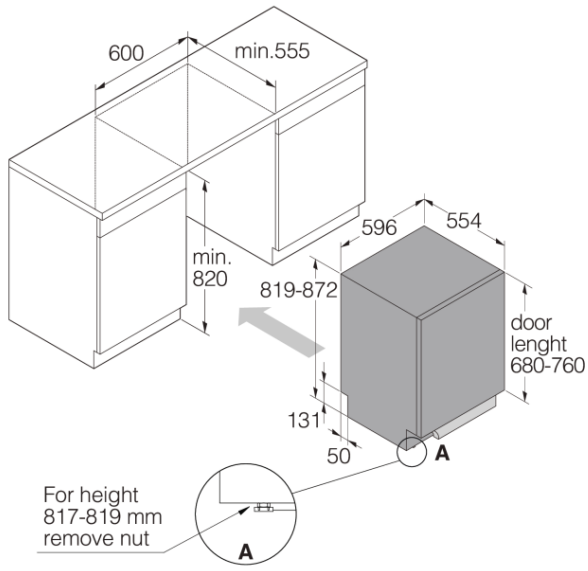
- Size 3/4" - Can be connected to hot or cold water
 - Max. temperature of incoming water: 70 °C
 - Noise level: 42 dB(A)re 1 pW
 - Duration of Eco programme: 195 min
 - Energy consumption per cycle for the Eco program 40-60°C : 0,64 kWh
 - Water consumption per cycle for the Eco program: 9,2 l
 - Consumption in standby mode: 0,49 W
 - Energy class: B
 - Plug type: Euro
 - Connected load: 1900 W
 - Number of phases: 1
 - Fuse: 10 amp
 - Frequency: 50 Hz
 - Required inlet water pressure: 0,03-1 MPa
 - Net weight: 36 kg
 - Noise class: B
 - Energy efficiency index (EEI): 37,6 %
 - Cleaning performance: 1,13
 - Drying performance: 1,07
 - Start delay: 3,99 W
 - Energy consumption per 100 cycles: 64 kWh
-

Dimensions

- Width: 596 mm
 - Height: 819 mm
 - Depth: 554 mm
 - Maximum product height: 872 mm
 - Length electrical cord: 1730 mm
 - Depth with door open: 1191 mm
 - Length inlet hose: 163 cm
 - Length outlet hose: 200 cm
-

Logistic information

- Packaging width: 640 mm
 - Packaging height: 890 mm
 - Packaging depth: 680 mm
 - Gross weight: 39 kg
 - Product code: 739485
 - EAN code: 3838782576218
-



Fully integrated dishwasher XL

