



DC7784HP.W.AU

Drying cabinet

General description

DC7784HP.W.AU
Installation type: Freestanding
Available colour: White

Construction & Performance

- Reinforced and sound insulated door
- Door guide for perfect alignment
- Total drying length (m): 16 m
- Tank capacity: 5 kg
- Airing capacity: 945 m³/h
- Shortest program time (min): 75 min

Interaction & Control

- Program selector and option keys

Safety & Maintenance

- Door switch

Technical data

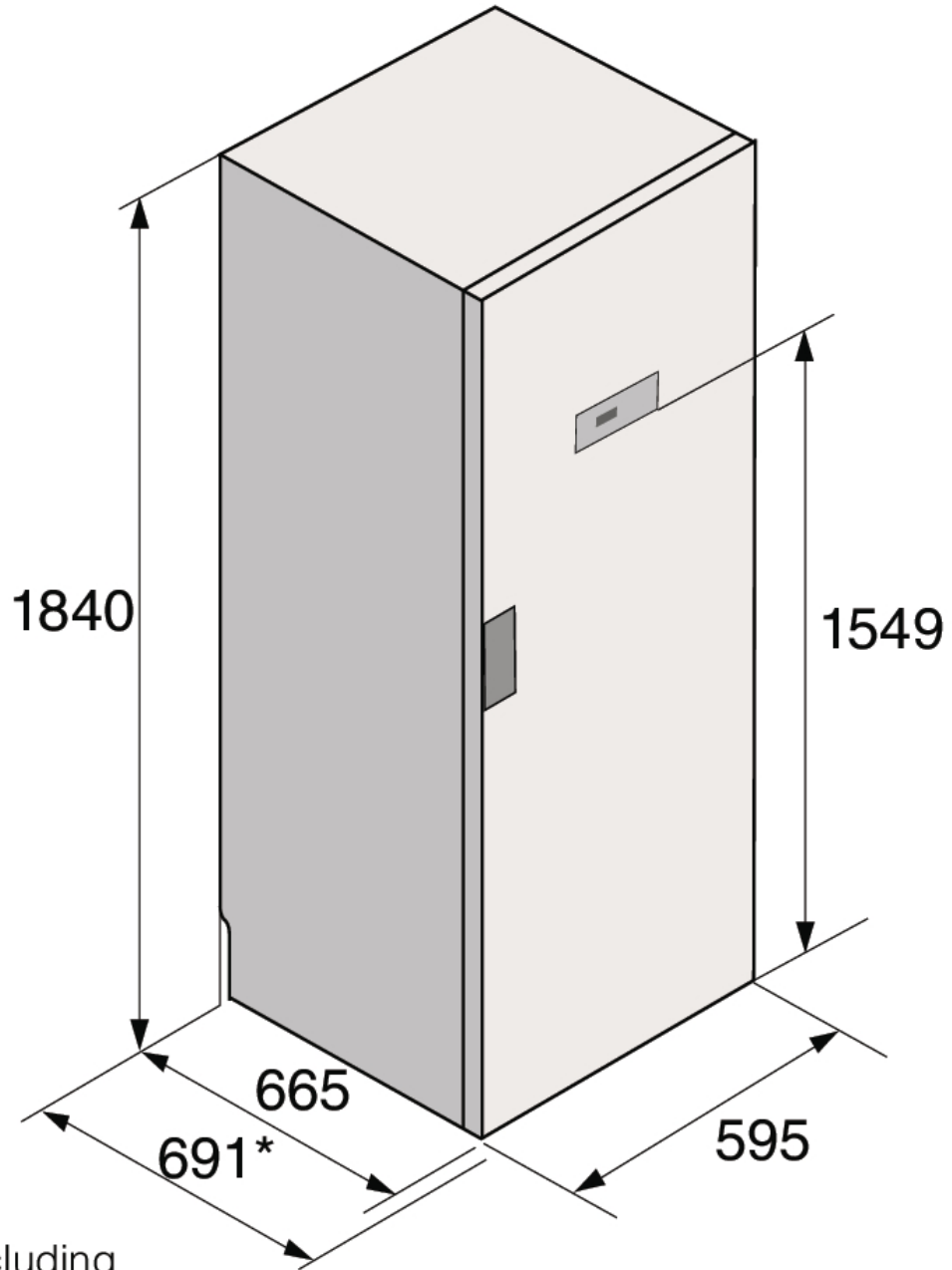
- Noise level: 70 dB(A)re 1 pW
- Plug type: Australia
- Number of phases: 1
- Frequency: 50 Hz
- Net weight: 93 kg
- Yes

Dimensions

- Product dimensions (HxWxD): 185,4 × 59,5 × 66,3 cm
- Depth with door open: 1237 mm
- Length electrical cord: 2,3 m

Logistic information

- Dimensions of packed product (HxWxD): 190 × 65 × 73 cm
- Gross weight: 99 kg
- Product code: 739475
- EAN code: 3838782553851



* Including handle