

# DBI344ID.W

## General description

Turbo Combi Drying™  
Product line: Classic  
Installation: Built-in  
Size: XL, 820 mm  
Number of baskets: 3  
Number of place settings (label): 14 place settings  
Top tray: Easy height adjustment; Handle; Removable for comfortable emptying  
Upper basket type: Premium - Basket wiring in steel, fixed pin rows and foldable wine shelves.  
Lower basket type: Premium - Basket wiring in steel, fixed pin rows and removable cutlery basket.  
Removable cutlery basket for easy loading and unloading

## Construction & Performance

- Extra durable stainless steel container.
- Aqua Detect™ - Instant recognition of any leakage in the motor compartment.
- Stand-by water protection - Leakage detection when machine is off.
- Anti Block™ - Self cleaning drain pump.
- 8 Steel™ - Vital parts of the dishwasher made in stainless steel.
- Hidden heater
- No need to rinse the dishes thanks to Super Cleaning System™
- Automatic water-softener for better washing performance
- Number of spray arms: 3
- Number of spray zones: 9
- Turbo Combi Drying™
- Automatic door opening
- Cutlery Spray™ - Extra dishwashing power for the cutlery basket
- Door handle type: Integrated soft closing handle



## Use & flexibility

- Number of place settings (label): 14 place settings
- Number of baskets: 3
- Top tray: Easy height adjustment; Handle; Removable for comfortable emptying
- Upper basket type: Premium - Basket wiring in steel, fixed pin rows and foldable wine shelves.
- Upper basket system: Switch wheels
- Lower basket type: Premium - Basket wiring in steel, fixed pin rows and removable cutlery basket.
- Small distance between the basket threads - makes loading easy and prevents small items to fall through.
- Removable cutlery basket for easy loading and unloading
- Required inlet water pressure: 0,03-1 MPa

## Interaction & Control

- Type of display: LCD display
- Ability to create own programmes: Memory programme
- Number of programs: 9
- Number of options: 5
- Time remaining indicator: Front display
- Wash end indication: Displayed with sound and light
- Adjustable power zones that can be set for cleaning Pots & Pans or Bottles & Vases. Can also be turned off.
- Available languages in control unit: CZ, DA, DE, EN, ES, EE, FI, FR, HR, IT, JP, LT, LV, NL, NO, PL, PT, RU, SK, SL, SV, UK

## Programs

- 9 programmes: Quick; Intensive; Eco; Hygiene; Time program; Rinse & hold; Universal; Self cleaning; Anti odour
- Delayed start: Possible to delay up to 24 hours
- Speed mode - The program time is shortened. More energy is used.
- Night mode - Lower noise level. The program time is extended.
- Super Rinse™ - Two extra rinses.

## Design & integration

- From front adjustable rear foot
- Integrated anti-siphon - Prevents spontaneous in- and outlet of water and simplifies elevated installation
- Min. niche width: 600 mm
- Min. niche height: 820 mm
- Depth (incl. wall spacing): 560 mm
- Height setting: 53 mm
- Possible adjustment of kick plate: 30 - 94/0 mm

## Safety & Maintenance

### Standard accessories



- Aqua Safe™ system - Multiple safety systems preventing water damages.
  - Kid Safe™ - Lockable controls
  - Indication of low level of rinse-aid: Notification in display
  - Salt refill indicator: Salt refill indicator
- 

#### Technical data

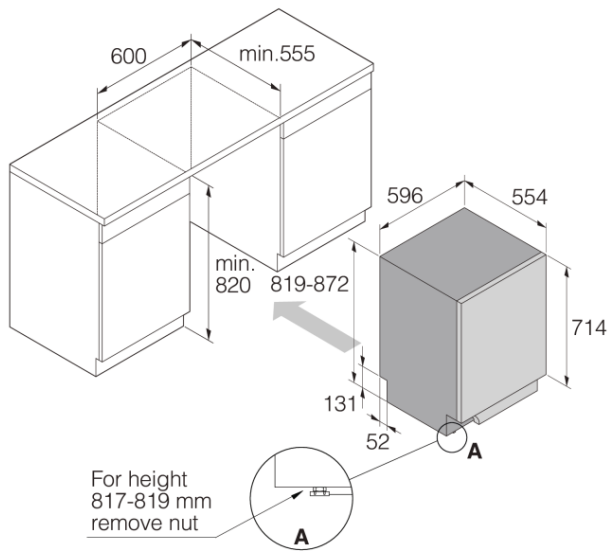
- Size 3/4" - Can be connected to hot or cold water
  - Max. temperature of incoming water: 70 °C
  - Noise level: 42 dB(A)re 1 pW
  - Duration of label wash cycle: 195 min
  - Estimated annual energy consumption: 184 kWh
  - Energy consumption - normal program: 0,64 kWh
  - Estimated annual water consumption: 2576 l
  - Water consumption - label program: 9,2 l
  - Energy consumption in off mode: 0,49 W
  - Energy consumption in standby mode: 0,49 W
  - Energy class: A+++
  - Plug type: Euro
  - Connected load: 1900 W
  - Number of phases: 1
  - Fuse: 10 amp
  - Frequency: 50 Hz
  - Required inlet water pressure: 0,03-1 MPa
  - Net weight: 36 kg
- 

#### Dimensions

- Width: 596 mm
  - Height: 819 mm
  - Depth: 554 mm
  - Maximum product height: 872 mm
  - Length electrical cord: 1730 mm
  - Depth with door open: 1191 mm
  - Length inlet hose: 163 cm
  - Length outlet hose: 200 cm
- 

#### Logistic information

- Packaging width: 640 mm
  - Packaging height: 890 mm
  - Packaging depth: 680 mm
  - Gross weight: 39,3 kg
  - Product code: 739400
  - EAN code: 3838782571756
  - Market: Domestic
-



DW60 Built-in dishwasher XL

