



OP8637S

Pyrolytic oven

Installation: Built-in
Range: Craft
Size: 60 cm
Main colour: Stainless Steel
Product dimensions (HxWxD): 59,5 × 59,7 × 54,7 cm
5 Air Flow™ system, Oven volume - 71 L, Pyrolytic Self Clean™, Defrost



5 Air Flow™
system



Oven
volume - 71
L



Pyrolytic Self
Clean™



Defrost

Construction & Performance

- Maximum oven temperature: 300 °C
- Meat Probe



Use & flexibility

- Interior lights (Illumination): Both sides
- Volume net (liter): 71 l
- Available baking levels: 5
- OpenView
- Wire guides
- 1 Premium grill rack
- 1 Deep tray
- 1 Shallow tray

Interaction & Control

- Knob shape: Ergonomic knobs
- LED icon + PYRO MATRIX

Programs

- Lower and upper heater
- Small infra heater
- Large infra heater
- Large infra heater with ventilaton
- Circular heater
- Lower heater and fan
- Lower heater with fan BIO
- Defrost
- WarmPlate
- FastPreheat

Design & integration

- Door material: Glass and stainless steel
- Main colour: Stainless Steel
- Knob material: Aluminium
- TouchFree Inox
- Adjustable feet: 4
- Niche dimensions (HxWxD): 59 × 56 × 55 cm

Safety & Maintenance

- Dynamic oven cooling plus - DC+
- GentleClose door hinge
- ChildLock
- Mechanic door safety bolt
- Removable flat oven inner door glass surface
- Pyrolytic cleaning
- Pyroproof side racks and plates

Technical data

- Energy consumption in standby mode: 1 W
- Energy class: A+

Standard accessories



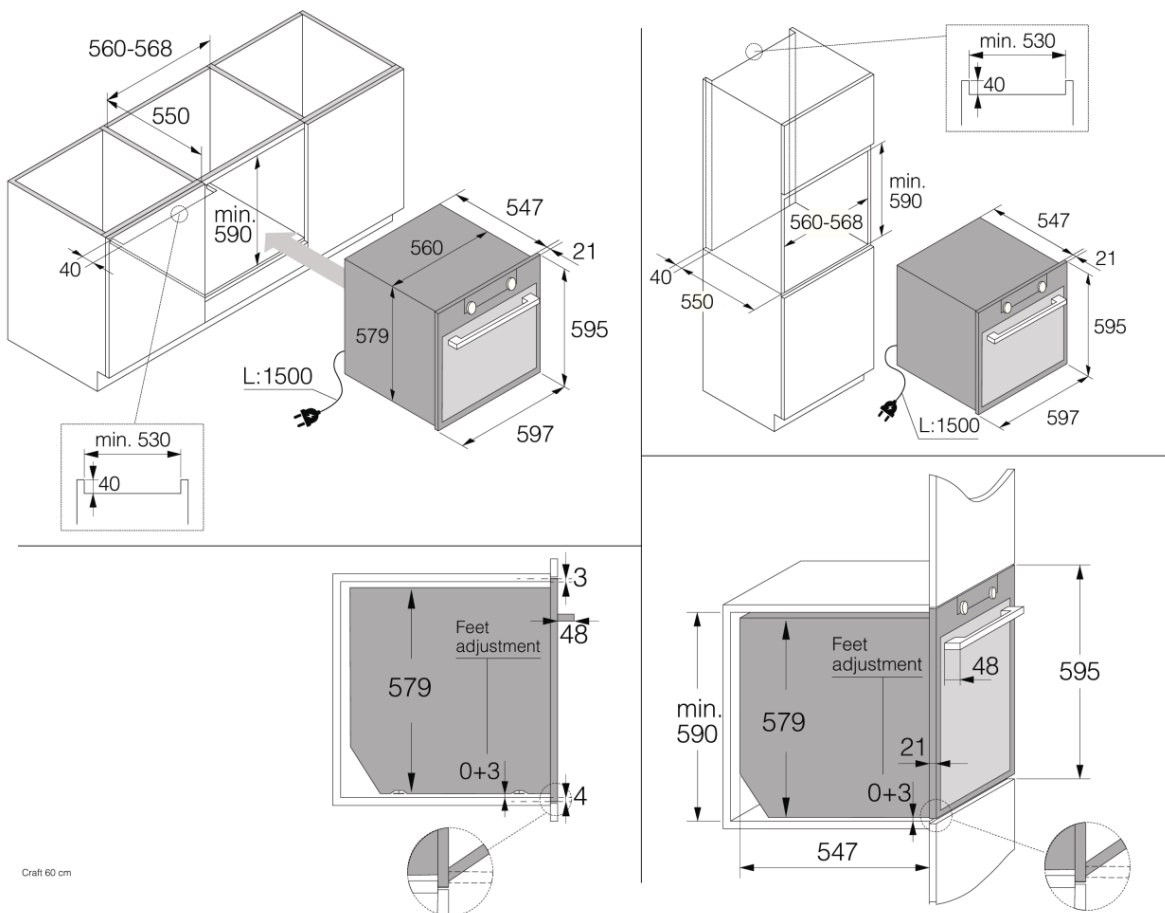
- Oven consumption (conventional operation): 1 kWh
- Oven consumption (venting operation): 0,69 kWh
- Energy consumption conventional: 0,94 kWh
- Energy consumption forced air: 0,9 kWh
- Connected load: 3400 W
- Frequency: 50-60 Hz
- Number of phases: 1

Dimensions

- Product dimensions (HxWxD): 59,5 × 59,7 × 54,7 cm
- Net weight: 40,8 kg

Logistic information

- Dimensions of packed product (HxWxD): 70 × 66 × 70 cm
- Gross weight: 46 kg
- Product code: 738807
- EAN code: 3838782519543



Craft 60 cm