



# OT8637S EU

## Built-in single oven

Installation: Built-in  
Range: Craft  
Main colour: Stainless Steel  
Product dimensions (HxWxD): 59,5 × 59,7 × 54,7 cm  
5 Air Flow™ system, Oven volume - 73 L, AquaClean, Defrost, Eco



5 Air Flow™  
system



Oven  
volume - 73  
L



AquaClean



Defrost



Eco

### Construction & Performance

- Maximum oven temperature: 275 °C
- Meat Probe

### Use & flexibility

- Interior lights (Illumination): Both sides
- Volume net (liter): 73 l
- Available baking levels: 5
- OpenView
- Wire guides
- 1 Premium grill rack
- 1 Deep tray
- 1 Shallow tray

### Interaction & Control

- Knob shape: Ergonomic knobs

### Programs

- Lower and upper heater
- Small infra heater
- Large infra heater
- Large infra heater with ventilaton
- Circular heater
- Eco function
- Lower heater and fan
- Lower heater with fan BIO
- Defrost
- FastPreheat

### Design & integration

- Door material: Glass and stainless steel
- Main colour: Stainless Steel
- TouchFree Inox
- Niche dimensions (HxWxD): 59 × 56 × 55 cm

### Safety & Maintenance

- Dynamic oven cooling plus - DC+
- SoftOpen and GentleClose door hinge
- Removable flat oven inner door glass surface
- AquaClean function

### Technical data

- Energy consumption in standby mode: 1 W
- Energy class: A+
- Oven consumption (conventional operation): 0,94 kWh
- Oven consumption (venting operation): 0,7 kWh
- Energy consumption conventional: 0,94 kWh
- Energy consumption forced air: 0,7 kWh



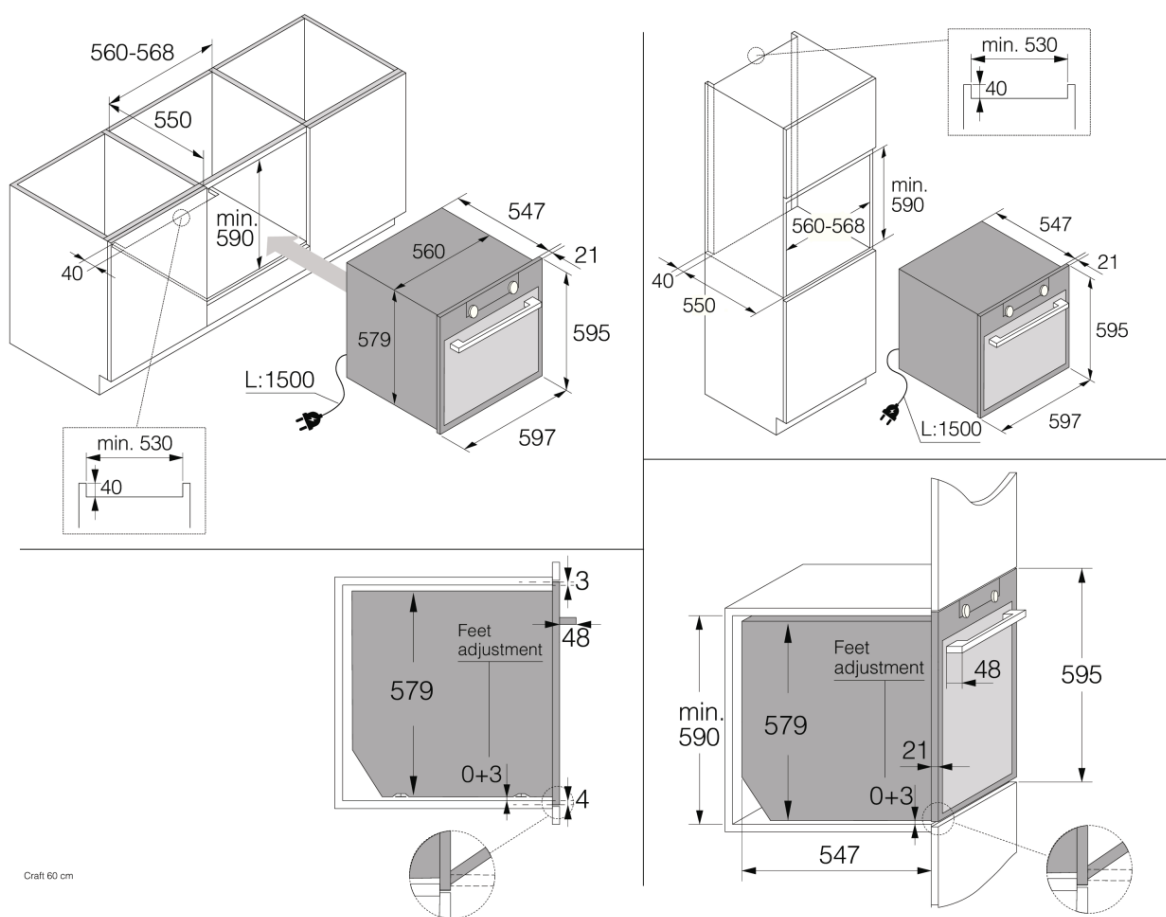
- Connected load: 3400 W
- Nominal current: 16 amp
- Frequency: 50-60 Hz
- Number of phases: 1

#### Dimensions

- Product dimensions (HxWxD): 59,5 × 59,7 × 54,7 cm
- Length electrical cord: 1,5 m
- Net weight: 37,4 kg

#### Logistic information

- Dimensions of packed product (HxWxD): 70 × 66 × 70 cm
- Gross weight: 42,6 kg
- Product code: 737993
- EAN code: 3838782477270
- Range: Craft



Craft 60 cm