



# DFI664XXLSOF.U

## Fully integrated dishwasher

Turbo Drying™ ensures the dish is dry and cool with fan assisted evacuation of moist.  
Number of place settings (label): 16  
Upper basket type: Premium - Basket wiring in steel, fixed pin rows and foldable wine shelves.  
Lower basket type: Premium - Basket wiring in steel, fixed pin rows and removable cutlery basket.  
Panel colour: Silver



### Programs

- Normal programme
- ECO programme
- Upper rack dishwashing
- Lower rack dishwashing
- Automatic programme

### Options

- Delayed start: Possible to delay up to 24 hours

### Cleaning systems

- No need to rinse the dishes thanks to Super Cleaning System™
- Automatic water-softener for better washing performance

### Drying system

- Turbo Drying™

### Features

- 2 led lights
- 8 Steel™ - Vital parts of the dishwasher made in stainless steel.
- Salt refill indicator: Salt refill indicator
- Indication of low level of rinse-aid: Notification in display
- Time remaining indicator: Time remaining indicator
- Voice signal for the end of washing cycle
- Steam protection device
- Hidden heater
- Kid Safe™ - Lockable controls
- "All in one" tablet function

### Water safety

- Aqua Detect™ - Instant recognition of any leakage in the motor compartment.
- Aqua Safe™ system - Multiple safety systems preventing water damages.

### Installation

- From front adjustable rear foot
- From the front adjustable door spring
- Velcro strips for easy mounting and adjustment of the separate custom door
- Multifit outlet hose
- Integrated anti-siphon device
- Trim kit

- EAN code: 3838782508264
- Product code: 737049

### General

- Product group: Dishwasher
- Installation: Fully integrated
- Size: XXL, 860 mm high

- Type of display: LCD display
- Number of programs: 12
- Noise level: 40 dB(A)re 1 pW
- Number of baskets: 3
- Number of place settings (label): 16
- EAN code: 3838782508264

#### Dimensions and installation

- Height: 859 mm
- Width: 596 mm
- Depth: 574 mm
- Packaging height: 930 mm
- Packaging width: 640 mm
- Packaging depth: 680 mm
- Length electrical cord: 1,2 m
- Length inlet hose: 163 cm
- Length outlet hose: 230 cm
- Net weight: 45,5 kg
- Gross weight: 49,1 kg

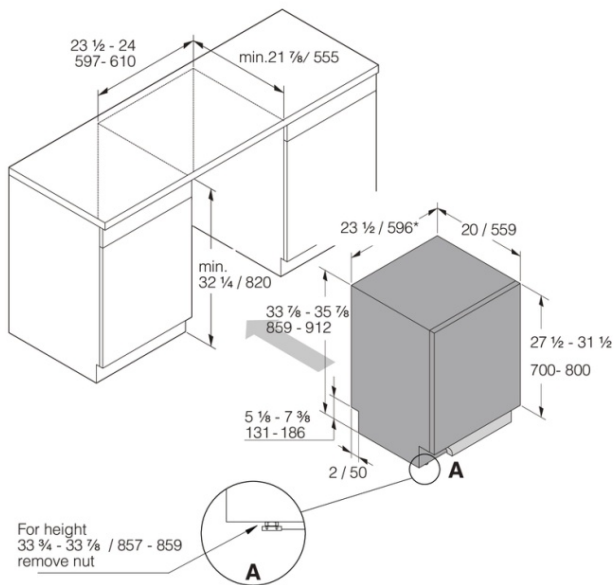
#### Dimensioner

- Fuse: 15 amp
- Frequency: 60 Hz
- Required inlet water pressure: 0,03-1 MPa

#### Consumption

- Estimated annual energy consumption: 235 kWh
- Energy consumption - normal program: 1 kWh
- Estimated annual water consumption: 2602 l
- Energy consumption in standby mode: 0,49 W
- Energy consumption in off mode: 0,49 W

Measurements: inches / millimetres



\* With side trims: Width 24 / 609

\*\* For dishwashers with extra insulation 5 / 15 is added.

DW60 Fully integrated dishwasher XXL USA

