



# DFS244IB.S/1

## Freestanding dishwasher

### General description

Turbo Combi Drying™  
Product line: Classic  
Installation: Freestanding  
Number of baskets: 3  
Number of place settings (label): 14 place settings  
Top tray: Easy height adjustment; With rack for knives and utensils; With rack for bowls and cups; With telescopic rails; Handle; Removable for comfortable emptying  
Upper basket type: Premium - Basket wiring in steel, fixed pin rows and foldable wine shelves.  
Lower basket type: Premium - Basket wiring in steel, fixed pin rows and removable cutlery basket.  
Handle with Stainless steel logotype  
Removable cutlery basket for easy loading and unloading  
Main colour: Titanium

### Construction & Performance

- Extra durable stainless steel container.
- Aqua Detect™ - Instant recognition of any leakage in the motor compartment.
- Stand-by water protection - Leakage detection when machine is off.
- Anti Block™ - Self cleaning drain pump.
- 8 Steel™ - Vital parts of the dishwasher made in stainless steel.
- Hidden heater
- No need to rinse the dishes thanks to Super Cleaning System™
- Sensi Clean™ Sensor - measures dirtiness level
- Automatic water-softener for better washing performance
- Number of spray arms: 3
- Number of spray zones: 9
- Jet Spray™ - Extra dishwashing power for vases, bottles and baby bottles.
- Wide Spray™ - Extra dishwashing power for pots and pans
- Turbo Combi Drying™
- Automatic door opening
- Cutlery Spray™ - Extra dishwashing power for the cutlery basket

### Standard accessories



### Use & flexibility

- Number of place settings (label): 14 place settings
- Number of baskets: 3
- Top tray: Easy height adjustment; With rack for knives and utensils; With rack for bowls and cups; With telescopic rails; Handle; Removable for comfortable emptying
- Upper basket type: Premium - Basket wiring in steel, fixed pin rows and foldable wine shelves.
- Upper basket system: Easy height adjustable with lever
- Guide rails with ball bearings
- Lower basket type: Premium - Basket wiring in steel, fixed pin rows and removable cutlery basket.
- Small distance between the basket threads - makes loading easy and prevents small items to fall through.
- Removable cutlery basket for easy loading and unloading
- Required inlet water pressure: 0,03-1 MPa

### Interaction & Control

- Type of display: LCD display
- Ability to create own programmes: Memory programme
- Number of programs: 7
- Number of options: 5
- Time remaining indicator: Front display
- Wash end indication: Displayed with sound and light
- Available languages in control unit: DA, DE, EN, ES, EE, FI, FR, HR, IT, JP, LT, LV, NL, NO, PL, PT, RU, SL, SV, ZH, ZH-CN

### Programs

- 7 programmes: Auto; Quick; Intensive; Eco; Hygiene; Time program; Rinse & hold
- Delayed start: Possible to delay up to 24 hours
- Speed mode - The program time is shortened. More energy is used.
- Night mode - Lower noise level. The program time is extended.
- Super Rinse™ - Two extra rinses.

### Design & integration

- Integrated anti-siphon - Prevents spontaneous in- and outlet of water and simplifies elevated installation
- Height setting: 50 mm

### Safety & Maintenance

- Tip guard

- Aqua Safe™ system - Multiple safety systems preventing water damages.
- Kid Safe™ - Lockable controls
- Indication of low level of rinse-aid: Notification in display
- Salt refill indicator: Salt refill indicator

---

#### Technical data

- Size 3/4" - Can be connected to hot or cold water
- Max. temperature of incoming water: 70 °C
- Noise level: 42 dB(A)re 1 pW
- Duration of Eco programme: 205 min
- Energy consumption per cycle for the Eco program 40-60°C : 0,74 kWh
- Water consumption per cycle for the Eco program: 9,4 l
- Consumption in standby mode: 0,49 W
- Energy class: C
- Plug type: Euro
- Connected load: 1900 W
- Number of phases: 1
- Fuse: 10 amp
- Frequency: 50 Hz
- Required inlet water pressure: 0,03-1 MPa
- Net weight: 66,5 kg
- Noise class: B
- Energy efficiency index (EEI): 43,5 %
- Cleaning performance: 1,13
- Drying performance: 1,07
- Start delay: 3,95 W
- Energy consumption per 100 cycles: 74 kWh

---

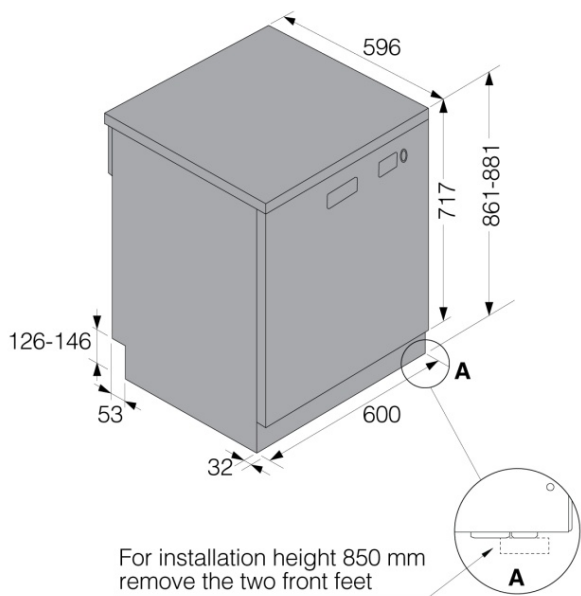
#### Dimensions

- Width: 600 mm
- Height: 861 mm
- Depth: 596 mm
- Maximum product height: 911 mm
- Length electrical cord: 1825 mm
- Depth with door open: 1231 mm
- Length inlet hose: 163 cm
- Length outlet hose: 200 cm

---

#### Logistic information

- Packaging width: 640 mm
  - Packaging height: 975 mm
  - Packaging depth: 680 mm
  - Gross weight: 74 kg
  - Product code: 736719
  - EAN code: 3838782469411
  - Market: Domestic
-



Freestanding dishwasher XL

