



Combi steam oven - Craft OCS8687BB

Installation: Built-in
 Range: Craft
 BigSpace
 Main colour: Colour of dark grey brushed stainless steel
 Product dimensions (HxWxD): 59,5 × 59,7 × 54,7 cm
 5 Air Flow™ system, Pure steam system, Oven volume - 73 L, AquaClean, 2 level telescopic fully extendable, Sous-vide, AutoRoast, Defrost, Eco

3590 SFr.
 Price (incl. VAT, excl. ARF)



5 Air Flow™ system



Pure steam system



Oven volume - 73 L



AquaClean



2 level telescopic fully extendable



Sous-vide



AutoRoast



Defrost



Eco



Construction & Performance

- SilverMatte
- Maximum oven temperature: 230 °C
- Meat Probe
- MultiSteam 360°

Use & flexibility

- Interior lights (Illumination): Both sides
- Water container: 1,3 l
- Volume net (liter): 73 l
- OpenView
- Fully extendable guides
- Fully extendable telescopic guides on two levels with stop function
- 1 Premium grill rack
- 1 Full width steam tray non-perforated
- 1 Full width steam tray perforated
- 2 Shallow trays

Interaction & Control

- Knob shape: Ergonomic knobs
- TFT display

Programs

- Lower heater BIO
- Upper heater
- Lower and upper heater
- Small infra heater
- Large infra heater
- Large infra heater with ventilaton
- Circular heater
- Eco function
- Lower heater and fan
- Lower heater with fan BIO
- Strong steam
- Medium steam
- Low steam
- Steam baking
- Direct steam injection
- Defrost
- WarmPlate
- FastPreheat
- STEP Bake
- AutoRoast

Standard accessories



FORS AG
 Schaftenholzweg 8
 2557 Studen BE
 Tel. 032 374 26 26, info@fors.ch

ASKO
 Inspired by Scandinavia

Design & integration

- Door material: Glass
- Main colour: Colour of dark grey brushed stainless steel
- Adjustable feet: 4
- Niche dimensions (HxWxD): 59 × 56 × 55 cm

Safety & Maintenance

- Dynamic oven cooling plus - DC+
- Door glass: Triple glazed oven door with double heat deflector (UltraCoolDoor)
- SoftOpen and GentleClose door hinge
- Removable flat oven inner door glass surface
- AquaClean function
- Direct steam injection
- Descaling

Technical data

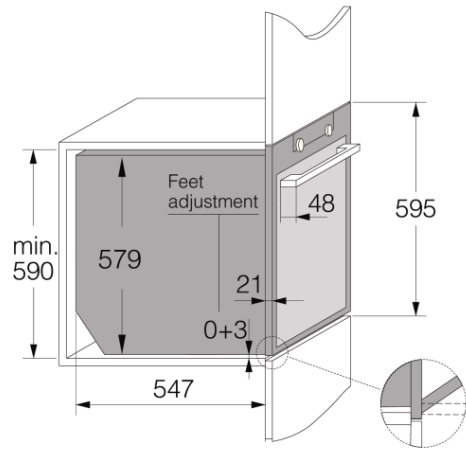
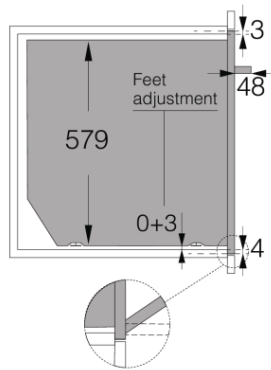
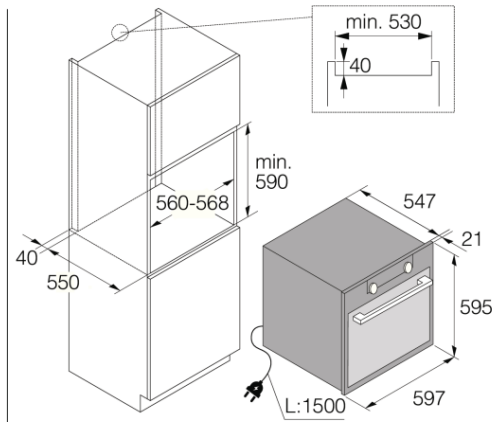
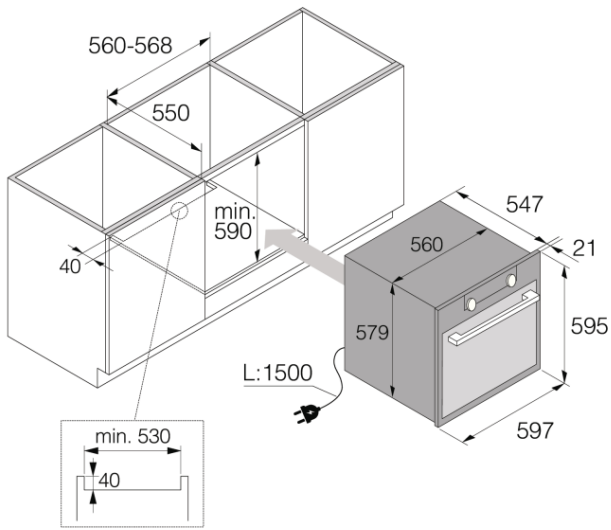
- Energy consumption in standby mode: 1 W
- Energy class: A+
- Oven consumption (conventional operation): 0,96 kWh
- Oven consumption (venting operation): 0,7 kWh
- Energy consumption conventional: 0,94 kWh
- Energy consumption forced air: 0,7 kWh
- Connected load: 3400 W
- Voltage (V): 220-240 V
- Nominal current: 16 amp
- Frequency: 50 Hz
- Number of phases: 1

Dimensions

- Product dimensions (HxWxD): 59,5 × 59,7 × 54,7 cm
- Length electrical cord: 1,5 m
- Net weight: 51,1 kg

Logistic information

- Dimensions of packed product (HxWxD): 70 × 66 × 70 cm
 - Gross weight: 56,3 kg
 - Product code: 736348
 - EAN code: 3838782425059
-



Craft 60 cm