

Combi steam oven - Craft

OCS8487BB



Installation: Built-in

Range: Craft

Medium

Main colour: Colour of dark grey brushed stainless steel

Product dimensions (HxWxD): 45,5 x 59,7 x 54,7 cm

5 Air Flow™ system, Pure steam system, Oven volume - 50 L, AquaClean, 1 level telescopic fully extendable, Sous-vide, AutoRoast, Defrost, Eco

3290 SFr.

Price (incl. VAT, excl. ARF)

A+



5 Air Flow™ system



Pure steam system



50 LITRE
Oven volume - 50 L



AquaClean



1 level telescopic fully extendable



Sous-vide



AutoRoast



Defrost



Eco



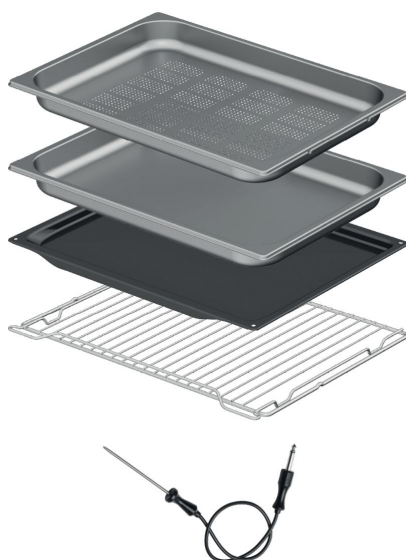
Construction & Performance

- SilverMatte
- Maximum oven temperature: 230 °C
- Meat Probe
- MultiSteam 360°

Use & flexibility

- Interior lights (Illumination): Both sides
- Water container: 1,3 l
- Volume net (liter): 50 l
- OpenView
- Fully extendable guides
- Fully extendable telescopic guides on one level with stop function
- 1 Premium grill rack
- 1 Full width steam tray non-perforated
- 1 Full width steam tray perforated
- 1 Shallow tray

Standard accessories



Interaction & Control

- Knob shape: Ergonomic knobs
- TFT display

Programs

- Lower heater BIO
- Upper heater
- Lower and upper heater
- Small infra heater
- Large infra heater
- Large infra heater with ventilaton
- Circular heater
- Eco function
- Lower heater and fan
- Lower heater with fan BIO
- Strong steam
- Medium steam
- Low steam
- Steam baking
- Direct steam injection
- Defrost
- WarmPlate
- FastPreheat
- STEP Bake
- AutoRoast

FORS AG
Schaftenholzweg 8
2557 Studen BE
Tel. 032 374 26 26, info@fors.ch

ASKO
Inspired by Scandinavia

Design & integration

- Door material: Glass
- Main colour: Colour of dark grey brushed stainless steel
- Adjustable feet: 4
- Niche dimensions (HxWxD): 45 × 56 × 55 cm

Safety & Maintenance

- Dynamic oven cooling plus - DC+
- Door glass: Triple glazed oven door with double heat deflector (UltraCoolDoor)
- SoftOpen and GentleClose door hinge
- Removable flat oven inner door glass surface
- AquaClean function
- Direct steam injection
- Descaling

Technical data

- Energy consumption in standby mode: 1 W
- Energy class: A+
- Oven consumption (conventional operation): 0,82 kWh
- Oven consumption (venting operation): 0,62 kWh
- Energy consumption conventional: 0,82 kWh
- Energy consumption forced air: 0,62 kWh
- Connected load: 2900 W
- Voltage (V): 220-240 V
- Nominal current: 16 amp
- Frequency: 50 Hz

Dimensions

- Product dimensions (HxWxD): 45,5 × 59,7 × 54,7 cm
- Length electrical cord: 1,5 m
- Net weight: 43,5 kg

Logistic information

- Dimensions of packed product (HxWxD): 55 × 66 × 70 cm
 - Gross weight: 48,2 kg
 - Product code: 736347
 - EAN code: 3838782425042
-

