



OT8664S

Built-in single oven

Installation: Built-in
Range: Craft
Main colour: Stainless Steel
Product dimensions (HxWxD): 59,5 × 59,7 × 54,7 cm
5 Air Flow™ system, Oven volume - 73 L, AquaClean, AutoRoast, Defrost, Eco



5 Air Flow™
system



Oven
volume - 73
L



AquaClean



AutoRoast



Defrost



Eco

Construction & Performance

- Maximum oven temperature: 275 °C
- Meat Probe

Use & flexibility

- Interior lights (Illumination): Both sides
- Volume net (liter): 73 l
- OpenView
- Fully extendable guides
- Fully extendable telescopic guides on one level
- 1 Premium grill rack
- 1 Deep tray
- 2 Shallow trays

Interaction & Control

- Knob shape: Ergonomic knobs
- Small TFT

Programs

- Lower heater BIO
- Upper heater
- Lower and upper heater
- Small infra heater
- Large infra heater
- Large infra heater with ventilator
- Circular heater
- Eco function
- Lower heater and fan
- Lower heater with fan BIO
- Defrost
- WarmPlate
- StayWarm
- FastPreheat
- AutoRoast

Design & integration

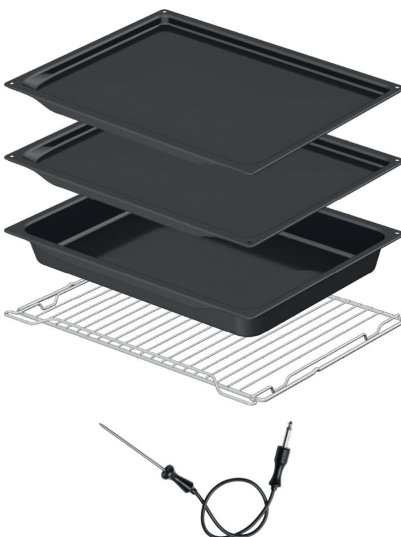
- Door material: Glass and stainless steel
- Main colour: Stainless Steel
- TouchFree Inox
- Niche dimensions (HxWxD): 59 × 56 × 55 cm

Safety & Maintenance

- Dynamic oven cooling plus - DC+
- GentleClose door hinge
- Removable flat oven inner door glass surface



Standard accessories



- AquaClean function

Technical data

- Energy consumption in standby mode: 1 W
- Energy class: A+
- Oven consumption (conventional operation): 0,94 kWh
- Oven consumption (venting operation): 0,7 kWh
- Energy consumption conventional: 0,94 kWh
- Energy consumption forced air: 0,7 kWh
- Connected load: 3400 W
- Nominal current: 16 amp
- Frequency: 50-60 Hz

Dimensions

- Product dimensions (HxWxD): 59,5 × 59,7 × 54,7 cm
- Length electrical cord: 1,5 m
- Net weight: 39,8 kg

Logistic information

- Dimensions of packed product (HxWxD): 70 × 66 × 70 cm
- Gross weight: 45 kg
- Product code: 729857
- EAN code: 3838782082207
- Range: Craft

