

DBI865IGXXL.S.AU

Built-in undercounter dishwasher

General description

Turbo Drying Express™ - Fan assisted supply air and extraction for extra effective drying
Product line: Style
Installation type: Built under work top
Size: XXL, 86 cm
Number of baskets: 4
Number of place settings: 16 place settings
Upper rack type: Exclusive - fully flexible with all-foldable pin rows and Light Lock™ for plastic items
Middle basket features: Removable rack for large utensils; Removable rack for bowls, cups and glasses; Handle; Non-return valve for the middle basket water connection; Easy sliding telescope rails with ball bearings for the middle basket
Lower rack type: Exclusive - fully flexible with all-foldable pin rows and vase/bottle holder

Construction & Performance

- Welded stainless steel container
- Exterior float
- Stand by water protection
- Anti-block drain pump
- 8 Steel™ construction
- Hidden heater
- SCS+ (Super Cleaning System+)
- Sensi Clean™ Sensor - detects the dirtiness level
- Number of spray arms: 3
- Number of spray zones: 10
- Jet Spray
- Wide Spray - A spray zone for pots and pans
- Twin Tubes - separate spray zone for middle basket

Use & Flexibility

- Number of place settings: 16 place settings
- Number of baskets: 4
- Upper rack type: Exclusive - fully flexible with all-foldable pin rows and Light Lock™ for plastic items
- Height adjustable top basket: Yes
- Easy sliding telescope rails with ball bearings for the upper basket
- China Guard - protects fragile load from the rotating spray arm
- Middle basket features: Removable rack for large utensils; Removable rack for bowls, cups and glasses; Handle; Non-return valve for the middle basket water connection; Easy sliding telescope rails with ball bearings for the middle basket
- Lower rack type: Exclusive - fully flexible with all-foldable pin rows and vase/bottle holder
- Vase and bottle holder placed above the Jet Spray™ nozzle
- Dense basket wiring in both upper and lower basket
- 4 LED Lights
- Required inlet water pressure: 0,03-1 MPa

Interaction & Control

- Display type: TFT front display LCD top display
- Customizable programs: Program memory
- Number of programs: 13
- Number of options: 7
- Digital countdown indicator: Front Display
- Wash end indication: Visual and sound indication washing end

Programs, options and modes

- Delayed start: Variable start delay up to 24 hours
- Green mode
- Speed mode
- Night mode
- Intensive mode
- Extra dry
- Super rinse

Design & Integration

- From front adjustable rear foot
- Simplified installation with integrated anti-siphon
- Min width: 600 mm
- Min height: 860 mm
- Depth (incl. wall spacing): 575 mm
- Height setting: 50 mm
- Kick plate adjustable depth: 30-94 mm

Safety & Maintenance

- Aqua Safe™
- Kid Safe™ - panel
- Rinse-aid indication: Notification in display

Technical data

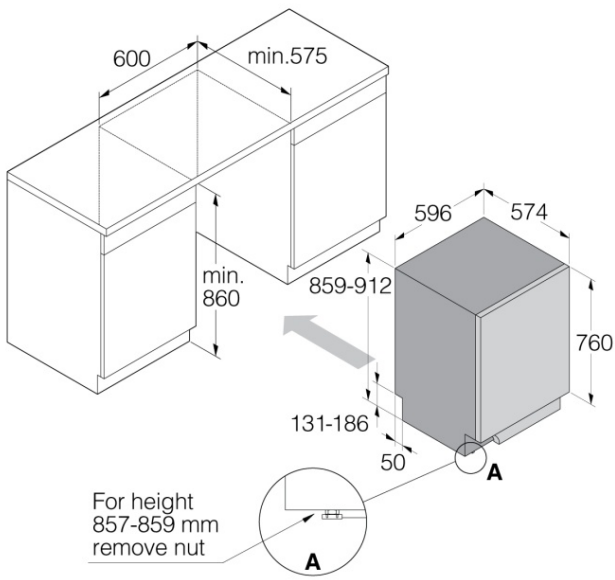
- Max. temperature of inflow water: 70 °C
- Noise level: 40 dB(A)re 1 pW
- Total cycle time of reference program (min): 178 min
- Estimated yearly energy consumption: 314 kWh
- Energy consumption reference program: 0,82 kWh
- Energy stars: 3,5
- Water stars: 6
- Water consumption: 10,6 l
- Consumption in off mode: 0,5 W
- Consumption in standby mode: 3 W
- Plug type: Australia
- Connection rating: 2000 W
- Number of phases: 1
- Current: 10 amp
- Frequency: 50 Hz
- Required inlet water pressure: 0,03-1 MPa
- Net weight: 48,5 kg
- Yes
- Yes

Dimensions

- Width: 596 mm
- Height: 859 mm
- Depth: 574 mm
- Maximum product height: 909 mm
- Length electrical cord: 1825 mm
- Depth with door open: 1253 mm
- Length inlet hose: 163 cm
- Length outlet hose: 200 cm

Logistic information

- Packaging width: 640 mm
 - Packaging height: 930 mm
 - Packaging depth: 680 mm
 - Gross weight: 52,1 kg
 - Product code: 729069
 - EAN code: 3838782068461
 - Product area: Kitchen
 - Market: Domestic
 - Range: Style
-



Built-in dishwasher XXL with extra rear insulation

