



# DFI666GXXL.AU

## General description

Turbo Drying Express™ - Fan assisted supply air and extraction for extra effective drying  
Product line: Style  
Installation type: Fully integrated  
Size: XXL, 86 cm  
Number of baskets: 4  
Number of place settings: 16 place settings  
Upper rack type: Exclusive - fully flexible with all-foldable pin rows and Light Lock™ for plastic items  
Middle basket features: Removable rack for large utensils; Removable rack for bowls, cups and glasses; Handle; Non-return valve for the middle basket water connection; Easy sliding telescope rails with ball bearings for the middle basket  
Lower rack type: Exclusive - fully flexible with all-foldable pin rows and vase/bottle holder

## Construction & Performance

- Welded stainless steel container
- Exterior float
- Stand by water protection
- Anti-block drain pump
- 8 Steel™ construction
- Hidden heater
- SCS+ (Super Cleaning System+)
- Sensi Clean™ Sensor - detects the dirtiness level
- Number of spray arms: 3
- Number of spray zones: 10
- Jet Spray
- Wide Spray - A spray zone for pots and pans
- Twin Tubes - separate spray zone for middle basket

## Use & Flexibility

- Number of place settings: 16 place settings
- Number of baskets: 4
- Upper rack type: Exclusive - fully flexible with all-foldable pin rows and Light Lock™ for plastic items
- Height adjustable top basket: Yes
- Easy sliding telescope rails with ball bearings for the upper basket
- China Guard - protects fragile load from the rotating spray arm
- Middle basket features: Removable rack for large utensils; Removable rack for bowls, cups and glasses; Handle; Non-return valve for the middle basket water connection; Easy sliding telescope rails with ball bearings for the middle basket
- Lower rack type: Exclusive - fully flexible with all-foldable pin rows and vase/bottle holder
- Vase and bottle holder placed above the Jet Spray™ nozzle
- Dense basket wiring in both upper and lower basket
- 4 LED Lights
- Required inlet water pressure: 0,03-1 MPa

## Interaction & Control

- Display type: LCD display
- Customizable programs: Program memory
- Number of programs: 13
- Number of options: 7
- Status LED light
- Digital countdown indicator: Time remaining indicator
- Wash end indication: Visual and sound indication washing end

## Programs, options and modes

- Delayed start: Variable start delay up to 24 hours
- Green mode
- Speed mode
- Night mode
- Intensive mode
- Extra dry
- Super rinse

## Design & Integration

- From front adjustable door spring
- From front adjustable rear foot
- Velcro strips - easy mounting of door panel
- Multifit outlet hose
- Simplified installation with integrated anti-siphon
- Custom door size 700-800
- Min width: 600 mm
- Min height: 860 mm

- Depth (incl. wall spacing): 575 mm
  - Height setting: 50 mm
- 

#### **Safety & Maintenance**

- Aqua Safe™
  - Kid Safe™ - panel
  - Rinse-aid indication: Notification in display
- 

#### **Technical data**

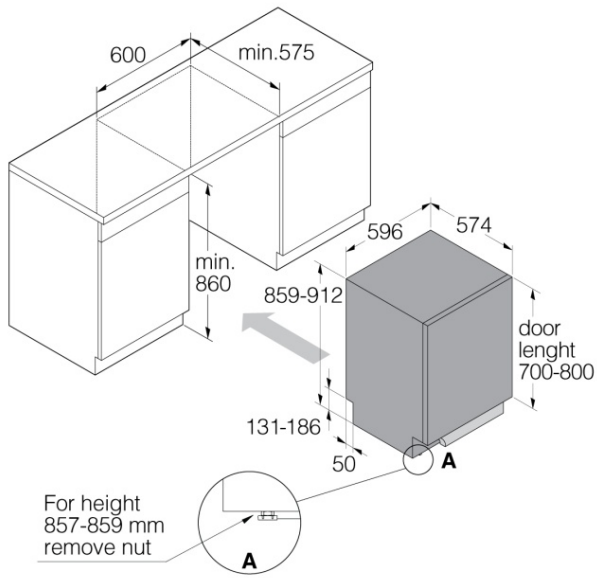
- Max. temperature of inflow water: 70 °C
  - Noise level: 38 dB(A)re 1 pW
  - Total cycle time of reference program (min): 178 min
  - Estimated yearly energy consumption: 314 kWh
  - Energy consumption reference program: 0,82 kWh
  - Energy stars: 3,5
  - Water stars: 6
  - Water consumption: 10,6 l
  - Consumption in off mode: 0,5 W
  - Consumption in standby mode: 3 W
  - Plug type: Australia
  - Connection rating: 2000 W
  - Number of phases: 1
  - Current: 10 amp
  - Frequency: 50 Hz
  - Required inlet water pressure: 0,03-1 MPa
  - Net weight: 47,5 kg
  - Yes
  - Yes
- 

#### **Dimensions**

- Width: 596 mm
  - Height: 859 mm
  - Depth: 574 mm
  - Maximum product height: 909 mm
  - Length electrical cord: 1825 mm
  - Depth with door open: 1253 mm
  - Length inlet hose: 163 cm
  - Length outlet hose: 200 cm
- 

#### **Logistic information**

- Packaging width: 640 mm
  - Packaging height: 930 mm
  - Packaging depth: 680 mm
  - Gross weight: 51,1 kg
  - Product code: 729065
  - EAN code: 3838782069567
  - Product area: Kitchen
  - Market: Domestic
  - Range: Style
-



Fully integrated dishwasher XXL with extra rear insulation

