



T408HD.S

Heat pump dryer

General description

T408HD.S
Product line: Logic
Installation: Freestanding
Drying capacity: 1-8 kg
Number of programmes: 14
Energy class: A+++
Type of dryer: Heat pump dryer
Type of display: LCD display
Anticrease
Main colour: Stainless Steel

Construction & Performance

- Long lasting stainless steel drum
- Durable brushless motor
- Heat pump
- Sensor and time controlled drying
- Drum volume: 117 l
- Butterfly drying system

Use & flexibility

- Volume of container for condensed water: 6 l
- Auto programmes
- Removable filter
- Door diameter: 34 cm
- Door opening angle: 180 °
- Anticrease
- Time setting
- Humidity sensor
- Drum illumination: Yes

Interaction & Control

- Remaining time indication
- Type of display: LCD display
- End of programme sound signal
- Program memory
- Available languages in control unit: CZ, DA, DE, EN, ES, EE, FI, FR, HR, IT, JP, LT, LV, NL, NO, PL, RU, SK, SL, SV, ZH, ZH-CN

Programs

- 14 programmes
- Auto dry
- Auto iron dry - auto programme with some remaining moisture
- Auto terry - for towels and bathrobes
- Auto jeans - good for jeans and garment with thick seams
- Auto normal dry - for thicker, non-sensitive cotton fabrics
- Auto down - for down pillows, down jackets and other materials with down
- Auto synthetic - for synthetics and other sensitive fabrics
- Timed drying
- Airing
- Bedding - programme for bedding and other large items
- Refreshing programme for silk and wool
- Shirts - lower temperature and slight remaining moisture to reduce wrinkles
- Quick Pro - effective quick programme

Design & integration

- Door opening: Reversible door opening
- Adjustable feet: 15 mm
- ASKO tumble dryer can be mounted on top of the washer
- Loading position: Front

Safety & Maintenance

- Lockable control panel
- Overheat protection
- Thermal and electronic protection against overheating

Technical data

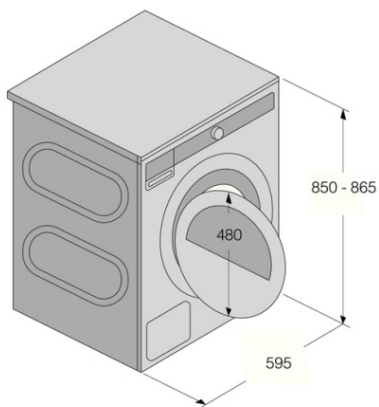
- Noise level: 64 dB(A)re 1 pW
- Power consumption in standby mode: 0,8 W
- Power consumption in off mode: 0,25 W
- Estimated annual energy consumption: 176,8 kWh
- Energy class: A+++
- Grounded plug
- Plug type SHUKO
- Connected load: 700 W
- Number of phases: 1
- Fuse: 10 amp
- Frequency: 50 Hz
- Net weight: 54,4 kg
- Marked for recycling
- ISO 14001

Dimensions

- Product dimensions (HxWxD): 85 × 59,5 × 65,4 cm
- Depth with door open: 1165 mm
- Length electrical cord: 2,1 m

Logistic information

- Dimensions of packed product (HxWxD): 92 × 64 × 72,3 cm
- Gross weight: 58,8 kg
- Product code: 586979
- EAN code: 3838782018282



Tumble Dryer/TD75

