



OP8678G

Pyrolytic oven

Installation: Built-in
Range: Elements
BigSpace
Main colour: Black ceramic glass
Product dimensions (HxWxD): 59,5 x 59,5 x 54,6 cm
5 Air Flow™ system, Oven volume - 71 L, Pyrolytic Self Clean™, 3 level telescopic fully extendable, AutoRoast, Defrost, Eco

A+



5 Air Flow™ system



Oven volume - 71 L



Pyrolytic Self Clean™



3 level telescopic fully extendable



AutoRoast



Defrost



Eco



Construction & Performance

- SilverMatte
- Hot air convection
- Maximum oven temperature: 300 °C
- Meat Probe

Use & flexibility

- Interior lights (Illumination): Both sides
- Volume net (liter): 71 l
- OpenView
- Fully extendable guides
- Wire guides
- Fully extendable telescopic guides on three levels with stop function
- Extendable rails are lockable
- Number of trays and grids: 5
- 1 Premium grill rack
- 1 Glass tray
- 1 Deep tray
- 2 Shallow trays
- Number of interior lights: 2

Interaction & Control

- Full colour display
- Touch screen
- TFT PYRO magna

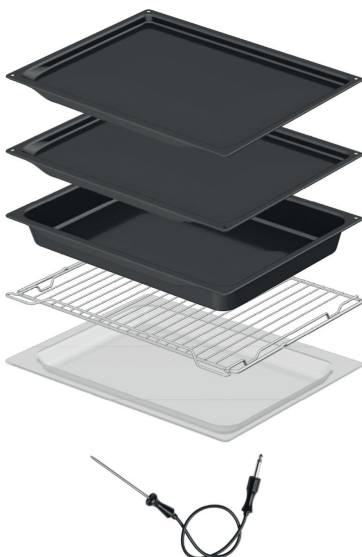
Programs

- Number of heating functions: 19
- Number of auto programmes: 82
- Lower heater
- Lower heater BIO
- Upper heater
- Lower and upper heater
- Small infra heater
- Large infra heater
- Large infra heater with ventilaton
- Circular heater
- Eco function
- Lower heater and fan
- Lower heater with fan BIO
- Defrost
- WarmPlate
- FastPreheat
- STEPBake
- AutoRoast

Design & integration

- Door material: Glass
- Main colour: Black ceramic glass

Standard accessories



FORS AG
Schaftenholzweg 8
2557 Studen BE
Tel. 032 374 26 26, info@fors.ch

ASKO
Inspired by Scandinavia

- One piece metal handle
- Tinted door glass
- Side trims
- Niche dimensions (HxWxD): 59 × 56,4 × 55 cm

Safety & Maintenance

- Dynamic oven cooling plus - DC+
- Door glass: Quadruple glazed oven door with double heat deflector (UltraCoolDoorQuadro)
- GentleClose door hinge
- Removable flat oven inner door glass surface
- Pyrolytic cleaning
- Pyroproof side racks and plates

Technical data

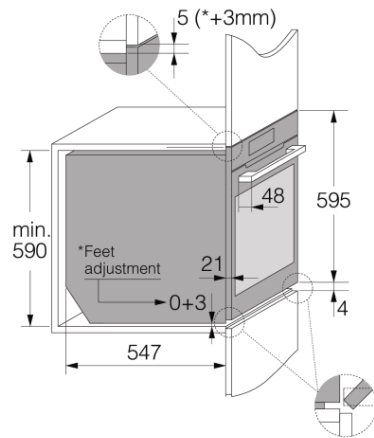
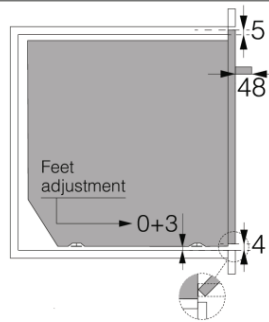
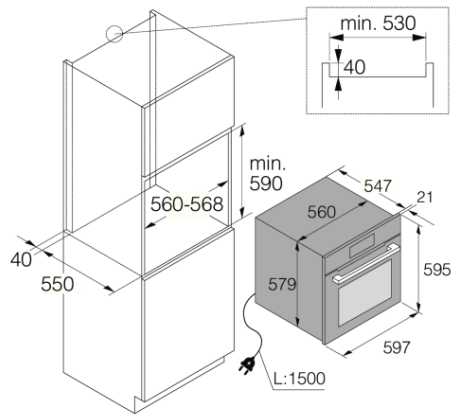
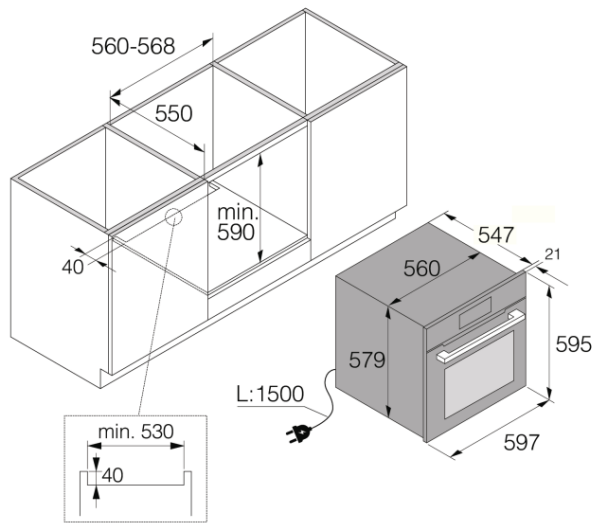
- Energy consumption in standby mode: 1 W
- Energy class: A+
- Oven consumption (conventional operation): 1 kWh
- Oven consumption (venting operation): 0,69 kWh
- Energy consumption conventional: 0,94 kWh
- Energy consumption forced air: 0,69 kWh
- Connected load: 3400 W
- Voltage (V): 220-240 V
- Frequency: 50-60 Hz

Dimensions

- Product dimensions (HxWxD): 59,5 × 59,5 × 54,6 cm
- Net weight: 46,8 kg

Logistic information

- Dimensions of packed product (HxWxD): 70 × 66 × 70 cm
 - Gross weight: 52 kg
 - Product code: 507873
 - EAN code: 3838942072901
-



Elements 60 cm