



# Combi Steam oven - Elements

## OCS8678G

Installation: Built-in  
 Range: Elements  
 BigSpace  
 Main colour: Black ceramic glass  
 Product dimensions (HxWxD): 59,5 x 59,5 x 54,6 cm  
 Display Touch TFT, 5 Air Flow™ system, Pure steam system, Oven volume - 73 L, AquaClean, Steam clean, 3 level telescopic fully extendable, Sous-vide, AutoRoast, Defrost, Eco

3990 SFr.  
 Price (incl. VAT, excl. ARF)



<b>Display Touch TFT</b>	<b>5 Air Flow™ system</b>	<b>Pure steam system</b>	<b>Oven volume - 73 L</b>
<b>AquaClean</b>	<b>Steam clean</b>	<b>3 level telescopic fully extendable</b>	<b>Sous-vide</b>
<b>AutoRoast</b>	<b>Defrost</b>	<b>Eco</b>	

### Construction & Performance

- SilverMatte
- Hot air convection
- Maximum oven temperature: 230 °C
- Meat Probe
- MultiSteam 360°

### Use & flexibility

- Interior lights (Illumination): Both sides
- Water container: 1,3 l
- Volume net (liter): 73 l
- OpenView
- Fully extendable guides
- Fully extendable telescopic guides on three levels with stop function
- Extendable rails are lockable
- Number of trays and grids: 9
- 1 Premium grill rack
- 2 Full width steam trays non-perforated
- 1 Full width steam tray perforated
- 1 Deep tray
- 2 Shallow trays
- 1 pcs 1/2 width steam tray perforated
- 1 pcs 1/3 width steam tray perforated
- Number of interior lights: 2

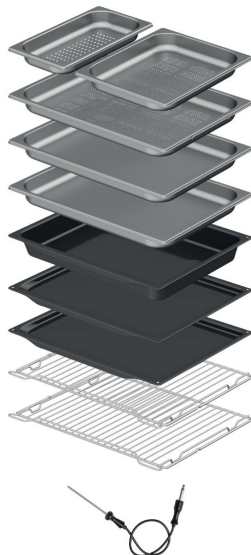
### Interaction & Control

- Full colour display
- Touch screen
- TFT display

### Programs

- Number of heating functions: 25
- Number of auto programmes: 160
- Lower heater
- Lower heater BIO
- Upper heater
- Lower and upper heater
- Small infra heater
- Large infra heater
- Large infra heater with ventilaton
- Circular heater
- Eco function
- Lower heater and fan
- Lower heater with fan BIO

### Standard accessories



FORS AG  
 Schaftenholzweg 8  
 2557 Studen BE  
 Tel. 032 374 26 26, info@fors.ch

**ASKO**  
 Inspired by Scandinavia

- Strong steam
  - Medium steam
  - Low steam
  - Steam baking
  - Direct steam injection
  - Defrost
  - WarmPlate
  - FastPreheat
  - STEP Bake
  - AutoRoast
- 

#### **Design & integration**

- Door material: Glass
  - Main colour: Black ceramic glass
  - One piece metal handle
  - Tinted door glass
  - Side trims
  - Adjustable feet: 4
  - Niche dimensions (HxWxD): 59 x 56 x 55 cm
- 

#### **Safety & Maintenance**

- Dynamic oven cooling plus - DC+
  - Door glass: Triple glazed oven door with double heat deflector (UltraCoolDoor)
  - SoftOpen and GentleClose door hinge
  - Removable flat oven inner door glass surface
  - AquaClean function
  - Direct steam injection
  - Descaling
  - Steam clean
- 

#### **Technical data**

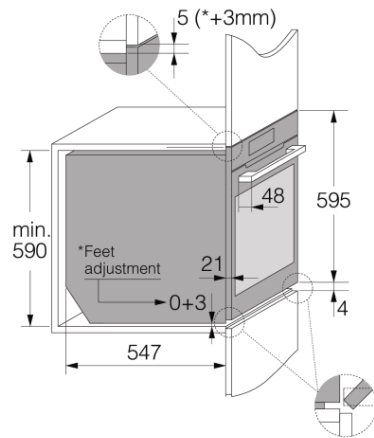
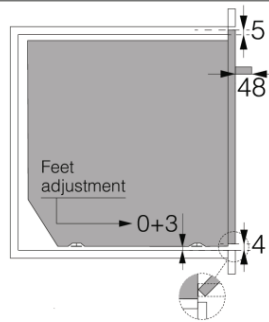
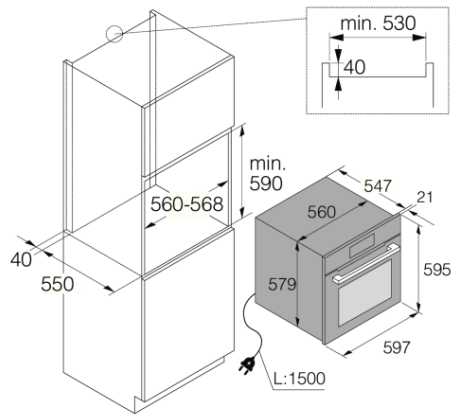
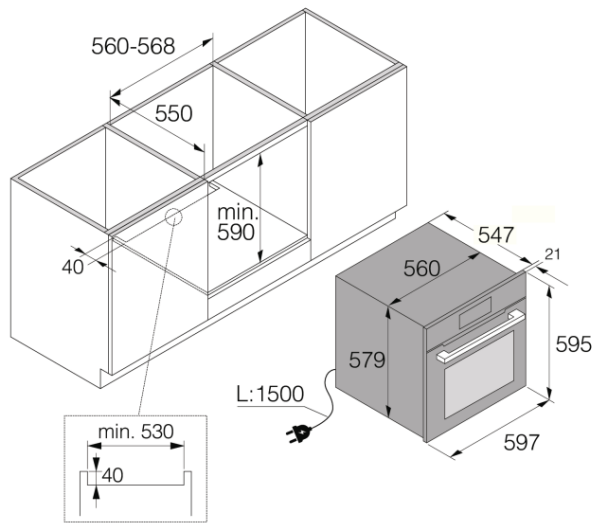
- Energy consumption in standby mode: 1 W
  - Energy class: A+
  - Oven consumption (conventional operation): 0,96 kWh
  - Oven consumption (venting operation): 0,7 kWh
  - Energy consumption conventional: 0,94 kWh
  - Energy consumption forced air: 0,7 kWh
  - Connected load: 3400 W
  - Voltage (V): 220-240 V
  - Nominal current: 16 amp
  - Frequency: 50 Hz
- 

#### **Dimensions**

- Product dimensions (HxWxD): 59,5 x 59,5 x 54,6 cm
  - Length electrical cord: 1,5 m
  - Net weight: 51,1 kg
- 

#### **Logistic information**

- Dimensions of packed product (HxWxD): 70 x 66 x 70 cm
  - Gross weight: 56,3 kg
  - Product code: 507872
  - EAN code: 3838942072895
-



Elements 60 cm