



# ODW8128G

## Warming drawer

### General description

ODW8128G  
Warming drawer  
Installation: Built-in  
Range: Elements  
Main colour: Black ceramic glass

### Construction & Performance

- Soft black glass with pearl effect

### Use & flexibility

- Opening method: Push-to-open mechanism
- Temperature setting: Variable temperature
- Temperature range: 30 – 80 °C
- Suitable for warming cups, glasses and crockery
- Suitable for keeping food warm
- Suitable for slow cook food

### Interaction & Control

- Illuminated power button

### Programs

- Defrosting of food
- Warming of cups

### Design & integration

- Suitable for integration with ovens
- Possible to install oven on top
- Niche dimensions min-max (HxWxD): 14 × 56-56,8 × 55 cm

### Safety & Maintenance

- Easy clean glass bottom in warming compartment

### Technical data

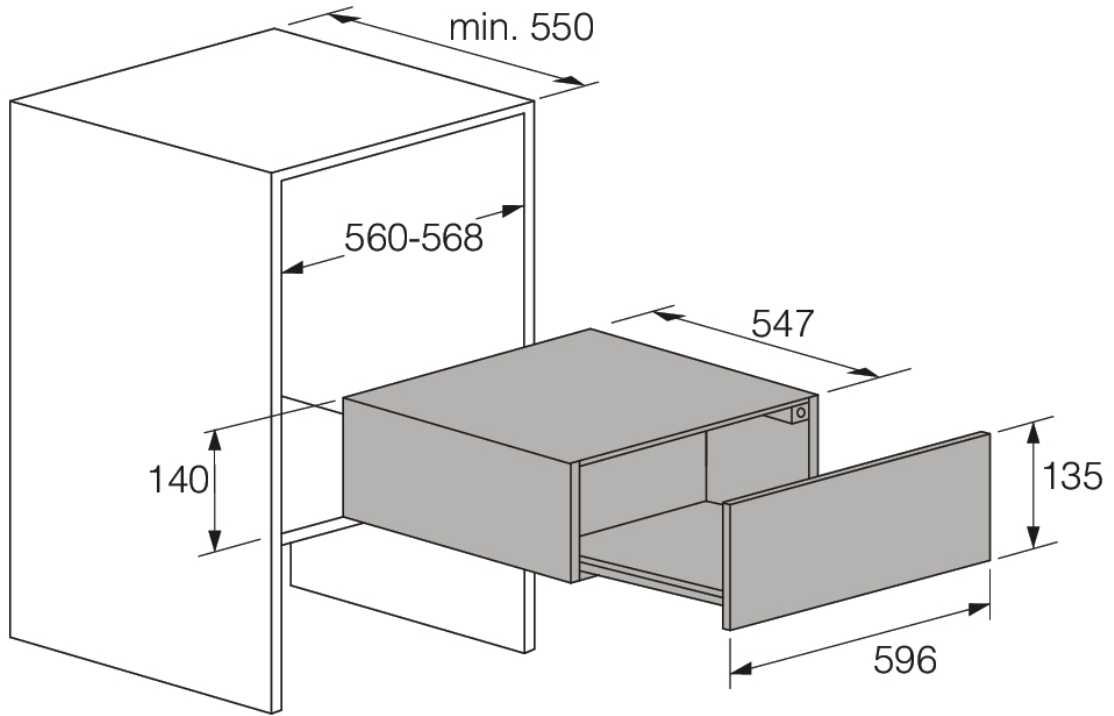
- Connected load: 810 W
- Nominal current: 10 amp
- Frequency: 50-60 Hz

### Dimensions

- Product dimensions (HxWxD): 14 × 59,7 × 55 cm
- Length electrical cord: 1,8 m
- Net weight: 15 kg

### Logistic information

- Dimensions of packed product (HxWxD): 18,4 × 63,8 × 65,2 cm
- Gross weight: 17 kg
- Product code: 497322
- EAN code: 3838942046841



Elements warming drawer