



HG1986AB

Gas hob

General description

HG1986AB
Range: Craft
Connected load: 1 W
Product dimensions (HxWxD): 4,8 × 90 × 52,6 cm
Super Flex Wok™ burner, A+ Hybrid™ Burner



Super Flex Wok™ burner



A+ Hybrid™ Burner

Construction & Performance

- Cooktop material: Enamelled steel
- Connected load: 1 W
- All heating elements (number of): 5
- Pan support material: Cast iron
- 1 auxiliary burner + 1 double burner + 2 half-speed burners + 1 large burner Middle front: 2 kW, Right front: 3 kW, Middle rear: 1 kW, Right rear: 2 kW
- Convenient maintenance with one-piece burner

Use & flexibility

- Gas type: G20/20 natural gas
- G30/G31-28-30/37 liquid gas: G30/G31-28-30/37 liquid gas

Interaction & Control

- Ergonomic knobs cast in one piece of metal: true
- One-hand ignition device for hob
- Removable knobs

Design & integration

- Location of gas inlet: Back left
- Niche dimensions (HxWxD): 5,5 × 86 × 49 cm
- Burner system: A+ hybrid system

Technical data

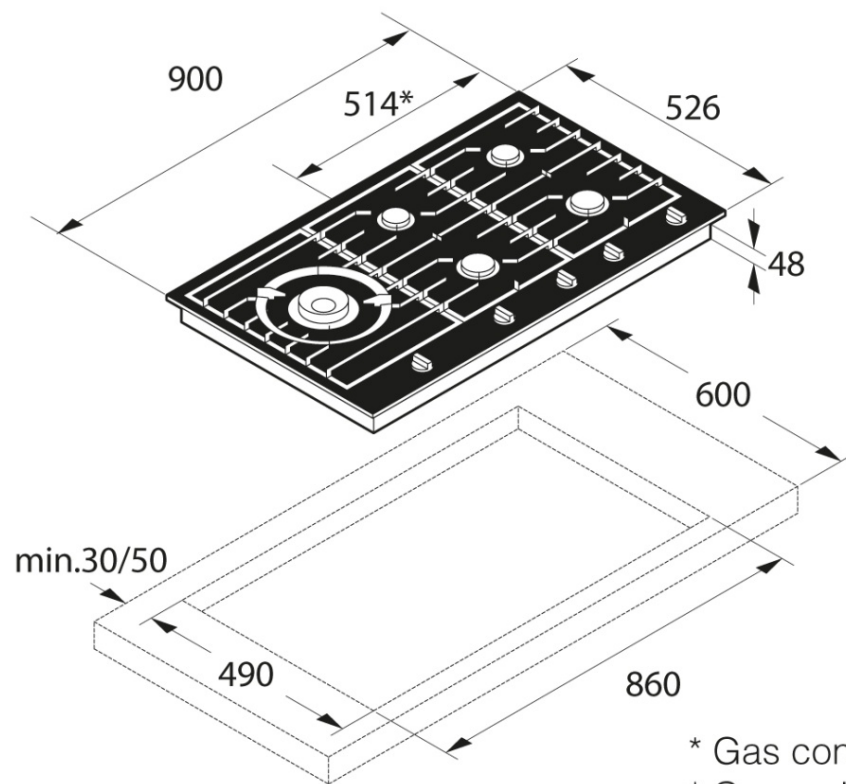
- Connected load: 1 W
- Frequency: 50-60 Hz
- Number of gas burners: 5

Dimensions

- Product dimensions (HxWxD): 4,8 × 90 × 52,6 cm
- Length electrical cord: 1,5 m
- Net weight: 18,4 kg

Logistic information

- Dimensions of packed product (HxWxD): 21 × 95 × 59,6 cm
- Gross weight: 21,2 kg
- Product code: 476659
- EAN code: 3838942016486



- * Gas connection
- * Connexion au gaz
- * Connessione gas
- * Подключение газа